

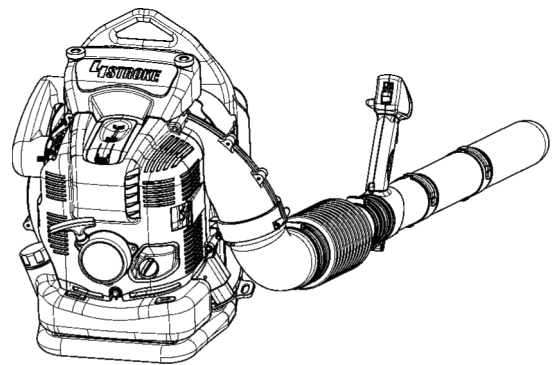
GASOLINE BLOWER SOUFFLEUR A ESSENCE SOPRADOR DE GASOLINA

MAKITA CA Statement

BBX7600CA

MAKITA non CA Statement

BBX7600



INSTRUCTION MANUAL

INSTRUCTIONS D'EMPLOI

INSTRUCCIONES DE MANEJO

Important:

Read this instruction manual carefully before putting the Blower into operation and strictly observe the safety regulations! Preserve instruction manual carefully!

Importante :

Lisez attentivement ce manuel utilisateur avant de mettre en route le souffleur et respectez scrupuleusement les consignes de sécurité.
Conservez soigneusement ce manuel.

Importante:

Lea bien este manual antes de poner el soplador en funcionamiento, y observe estrictamente las medidas de seguridad. Conserve este manual de instrucciones.

Thank you very much for selecting the Makita blower. We are pleased to be able to offer you the Makita blower, which is the result of a long development program and many years of knowledge and experience.

The blower models BBX7600 / BBX7600CA combines the advantages of state-of-the-art technology with ergonomic design. They are of light-weight, handy, compact and represent professional equipment for a great variety of applications.

Please read, understand and follow this booklet, which refers in detail to the various points that will demonstrate its outstanding performance. This will assist you to safely obtain the best possible results from your Makita Blower.

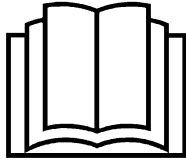


Table of Contents

	Page
Symbols	2
Safety instructions.....	3-5
Technical data	6
Designation of parts	7
Assembly instructions	8-9
Before starting the engine	10-11
Operation	12-13
Adjustment of idling.....	13
Operation method	14
Inspection and maintenance	15-17
Storage.....	17-18
Troubleshooting	19

SYMBOLS

It is very important to understand the following symbols when reading this instructions manual.

	WARNING/DANGER		Fuel (Gasoline)
	Read, Understand and Follow Instruction Manual		Engine-manual Start
	Forbidden		Emergency Stop
	No Smoking		First Aid
	No Open Flame		Recycling
	Protective Gloves must be Worn		ON/START
	Keep the Area of Operation Clear of All Persons and Pets		OFF/STOP
	Wear Eye and Ear Protection		Severing of fingers or hand, impeller blade
	Hot surfaces - Burns to fingers or hands		

SAFETY INSTRUCTIONS

General Instructions

- To ensure correct and safe operation, the user must read, understand and follow this instruction manual to assure familiarity with the handling of the blower (1). Users insufficiently informed will risk danger to themselves as well as others due to improper handling.
- It is recommended only to loan the blower to people who have proven to be experienced with blowers.
- Always hand over the instruction manual.
- First-time users should ask the dealer for basic instructions to familiarize oneself with the handling of a blower.
- Children and young persons aged under 18 years must not be allowed to operate the blower. Persons over the age of 16 years may however use the tool for the purpose of being trained only while under the direct supervision of a qualified trainer.
- Use blowers with the utmost care and attention.
- Operate the blower only if you are in good physical condition.
- Perform all work conscientiously and carefully. The user has to accept responsibility for others.
- Never use the blower while under the influence of alcohol or drugs (2).
- Do not use the unit when you are tired.
- Save these instructions for future referral.

Personal Protective Equipment

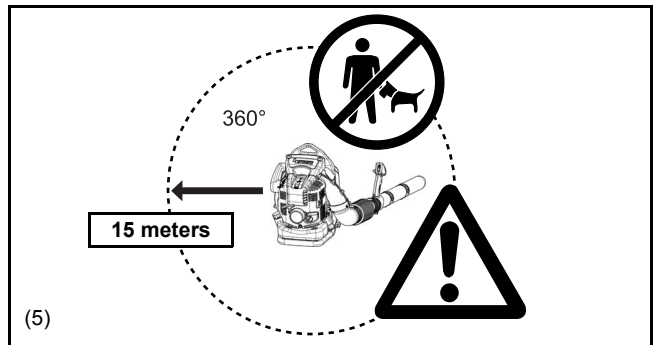
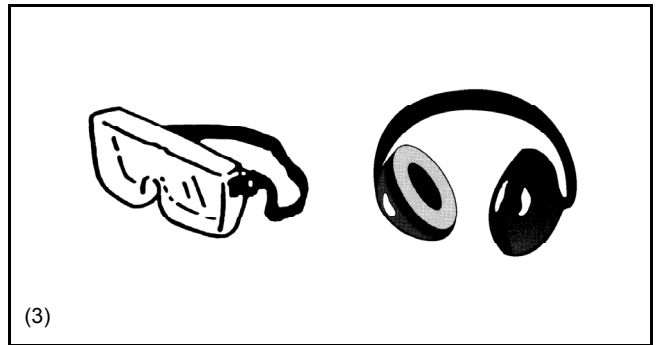
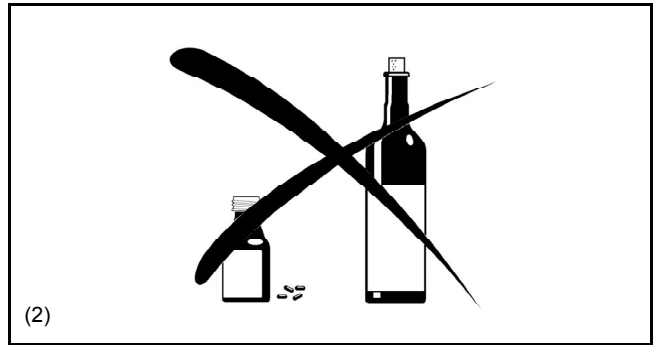
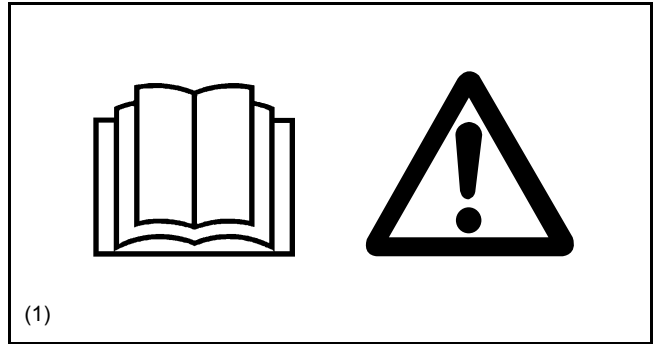
- The clothing worn should be functional and appropriate, i. e. It should be tight fitting but not cause a hindrance. Do not wear jewelry, clothing or long hair which could be drawn into the air intake.
- In order to avoid head-, eye-, hand- or foot injuries as well as to protect your hearing the following protective equipment and protective clothing must be used during operation of the blower.

Pay particular attention to the following regulations

- Clothing must be sturdy and snug-fitting, but allow complete freedom of movement. Avoid loose-fitting jackets, flared or cuffed pants, scarves, unconfined long hair or anything that could be drawn into the air intake. Wear overalls or long pants to protect your legs. Do not wear shorts. (4)
- Blower noise may damage your hearing. Wear sound barriers (ear plugs or ear muffs) to protect your hearing. Continual and regular users should have their hearing checked regularly. (3)
- Use of gloves when working with the blower is recommended. Wear sturdy shoes with non-slip soles. (4)
- Proper eye protection is a must. Even though the discharge is directed away from the operator, ricochets and bounce-backs can occur during blower operation. (3)
- Never operate a blower unless wearing goggles or properly fitted safety glasses with adequate top and side protection which comply with ANSI Z 87. 1 (or your applicable national standard).

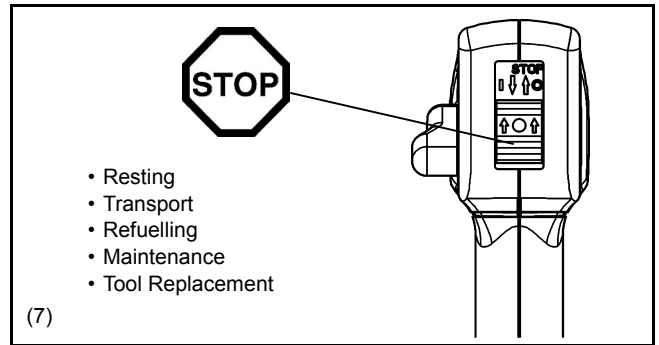
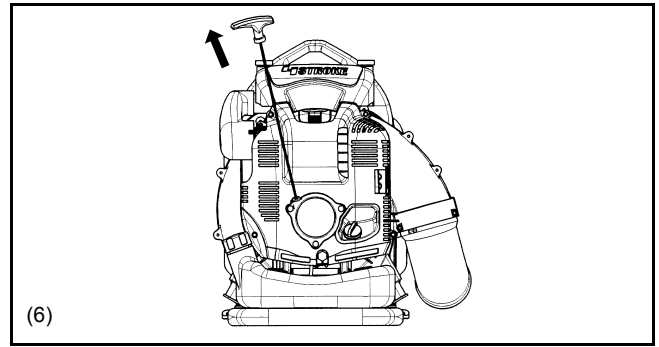
Starting up the blower

- Please make sure that there are no children or other people within a working range of 15 meters (5), also pay attention to any animals in the working vicinity. Never use the blower in urban areas.
- Before operating, always check that the blower is safe for operation: Check the security of the throttle lever. The throttle lever should be checked for smooth and easy action. Check for proper functioning of the throttle lever lock. Check for clean and dry handles and test the function of the I-O switch. Keep handles free of oil and fuel.



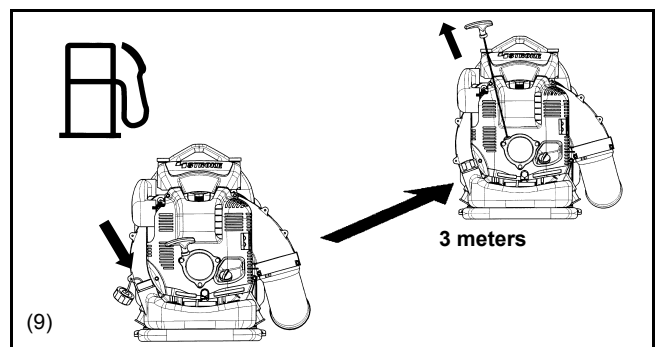
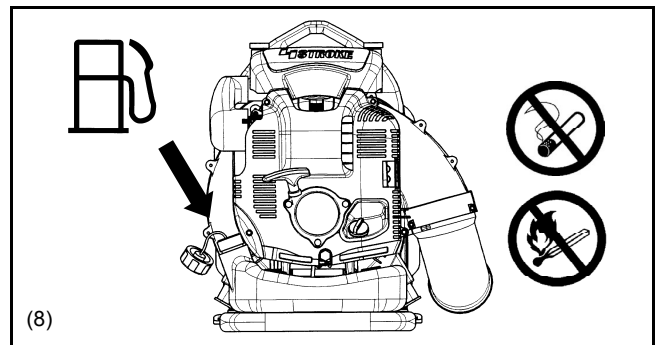
Start the Blower only in accordance with the instructions.
Do not use any other methods for starting the engine (6) !

- Use the blower and the tools supplied only for applications specified.
- Start the blower engine only after the entire tool has been assembled. Operation of the tool is permitted only after all the appropriate accessories are attached.
- The engine is to be switched off immediately if there are any engine problems.
- When working with the blower, always wrap your fingers tightly around the handle, keeping the control handle cradled between your thumb and forefinger. Keep your hand in this position to have your machine under control at all times. Make sure your control handle is in good condition and free of moisture, pitch, oil or grease. Always ensure a safe, well-balanced footing.
- Operate the blower in such a manner as to avoid inhalation of the exhaust gases. Never run the engine in enclosed rooms (risk of suffocation and gas poisoning). Carbon monoxide is an odorless gas. Always ensure there is adequate ventilation.
- Switch off the engine when resting or leaving the blower unattended. Place it in a safe location prevent danger to others, setting fire to combustible materials, or damage to the machine.
- Never lay the hot blower onto dry grass or onto any combustible materials.
- All protective parts and guards supplied with the machine must be used during operation.
- Never operate the engine with a faulty exhaust muffler.
- Shut off the engine during transport (7).
- Position the blower safely during car or truck transportation to avoid fuel leakage.
- When transporting the blower, ensure that the fuel tank is completely empty.



Refuelling

- Shut off the engine during refuelling (7), keep well away from open flame (8) and do not smoke.
- Avoid skin contact with petroleum products. Do not inhale fuel vapor. Always wear protective gloves during refuelling. Change and clean protective clothing at regular intervals.
- Take care not to spill either fuel or oil in order to prevent soil contamination (environmental protection). Clean the blower immediately after fuel has been spilt. Allow wet cloths to dry before disposing in properly, covered container to prevent spontaneous combustion.
- Avoid any fuel contact with your clothing. Change your clothing immediately if fuel has been spilled on it (fire hazard).
- Inspect the fuel cap at regular intervals making sure that it stays securely fastened.
- Carefully tighten the locking screw of the fuel tank. Change locations to start the engine (at least 3 meters away from the place of refuelling) (9).
- Never refuel in closed rooms. Fuel vapors accumulate at ground level (risk of explosions)
- Only transport and store fuel in approved containers. Make sure stored fuel is not accessible to children.
- Do not attempt to refuel a hot or a running engine.



Method of operation

- Use the blower only in good light and visibility. During cold seasons beware of slippery or wet areas, ice and snow (risk of slipping). Always ensure a safe footing.
- Never work on unstable surfaces or steep terrain.
- To reduce the risk of personal injury, do not direct air blast towards bystanders, since the high pressure of the air flow could injure eyes and could blow small objects at great speed.
- Never insert any foreign object into the air intake of the machine or into the nozzle of the blower. It will damage the fan wheel and may cause serious injury to the operator or bystanders as a result of the object or broken parts being thrown out at high speed.
- Pay attention to the direction of the wind, i.e., do not work against the wind.
- To reduce the risk of stumbling and loss of control, do not walk backward while operating the machine.
- Always shut off the engine before cleaning or servicing the unit or replacing parts.

Maintenance instructions

- Be kind to the environment. Operate the blower with as little noise and pollution as possible. In particular, check the correct adjustment of the carburetor.
- Clean the blower at regular intervals and check that all screws and nuts are securely tightened.
- Never service or store the blower in the vicinity of open flames, sparks, etc. (11).
- Always store the blower in a well-ventilated locked room and with an emptied fuel tank.

Observe and follow all relevant accident prevention instructions issued by the trade associations and by insurance companies. Do not perform any modifications to the blower as this will risk your safety.

The performance of maintenance or repair work by the user is limited to those activities as described in this instruction manual. All other work is to be done by Authorized Service Agents.

Use only genuine spare parts and accessories supplied by Makita.

Use of non-approved accessories and tools means increased risk of accidents and injuries. Makita will not accept any liability for accidents or damage caused by the use of any non-approved attachment or accessories.

First Aid

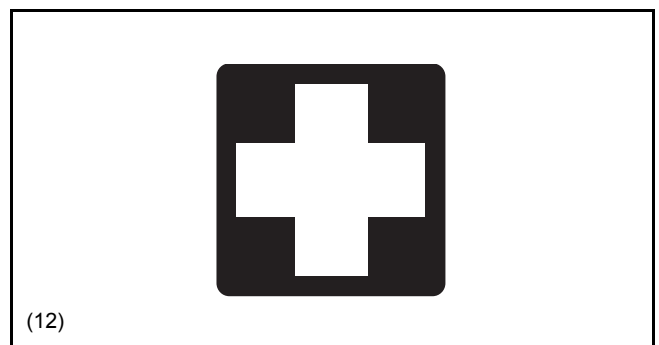
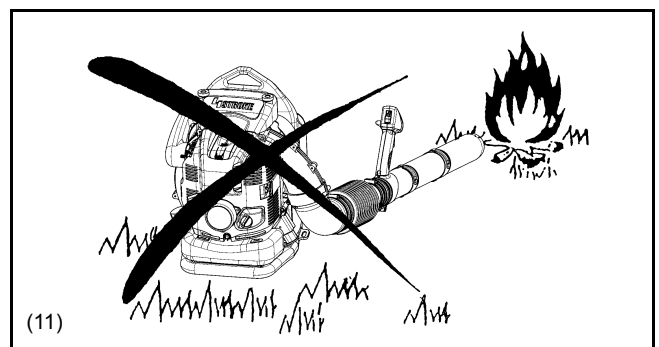
In case of accident make sure that a well-stocked first-aid kit is available in the vicinity of the operations. Immediately replace any item taken from the first aid kit.

When asking for help, please give the following information:

- Place of accident
- What happened
- Number of injured persons
- Extent of injuries
- Your name

Packaging

The Makita blower is delivered in a protective cardboard box to prevent shipping damage. Cardboard is a basic raw material and is therefore consequently reusable or suitable for recycling (waste paper recycling).



TECHNICAL DATA

Model		BBX7600 BBX7600CA
Mass (without blower pipe)	(kg)	10.2 (22.4lbs)
Dimension (without blower pipe L x W x H)	(mm)	350 × 430 × 495 (13.7 × 16.9 × 19.5 in)
Max. engine speed	(min ⁻¹)	7,200
Idling speed	(min ⁻¹)	2,800
Engine displacement	(mL)	75.6 (4.61 cu.in)
Fuel		Automobile gasoline
Fuel tank capacity	(L)	1.9 (64.2 fl.oz)
Engine oil		SAE 10W-30 oil of API Classification, Class SF or higher (4-stroke engine for automobile)
Engine oil volume	(L)	0.22 (7.4 fl.oz)
Carburetor (Diaphragm-carburetor)		WALBRO WYK
Ignition system		Solid state ignition
Spark plug		NGK CMR6A
Electrode gap	(mm)	0.7 - 0.8 (0.028 - 0.031 in)
Noise Level (50Feet per ANSI B175-2-2000)	(dB(A))	74

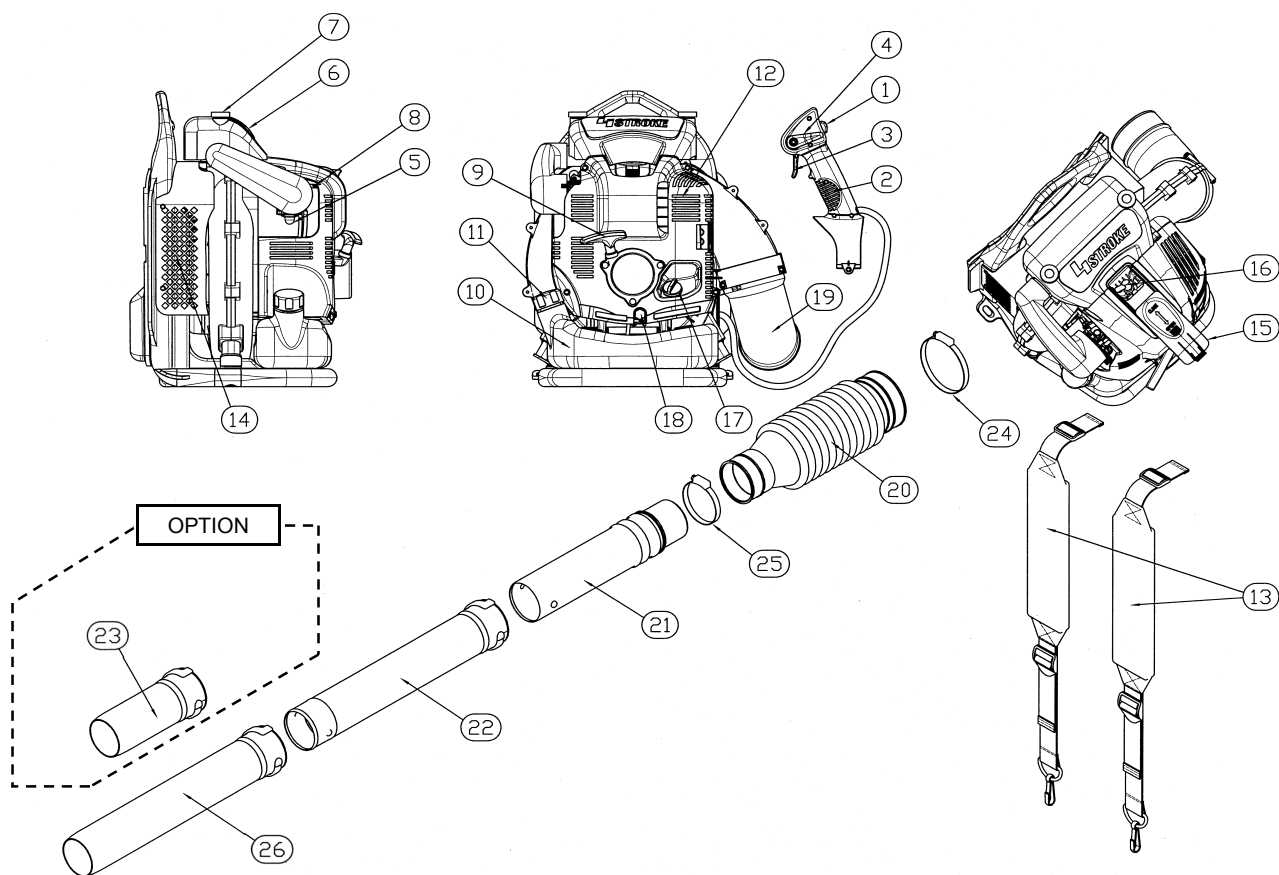
Notes:

1. Use the oil and spark plug specified by Makita.
2. This specification is subject to change without prior notice.

(For Canada)

NOTE: This spark ignition system complies with the Canadian standard ICES-002.

DESIGNATION OF PARTS



DESIGNATION OF PARTS	DESIGNATION OF PARTS	DESIGNATION OF PARTS	DESIGNATION OF PARTS
1. Stop switch	8. Choke Lever	15. Plug Cover	22. Blower Pipe
2. Control Handle	9. Starter Handle	16. Spark Plug	23. Blower Nozzle L=200
3. Trigger Lever	10. Fuel Tank	17. Oil Cap	24. Hose Band \varnothing 100
4. Cruise Control Lever	11. Fuel Tank Cap	18. Oil Drain Bolt	25. Hose Band \varnothing 76
5. Primer Pump	12. Muffler	19. Elbow	26. Blower Nozzle L=450
6. Element Cover	13. Shoulder Strap	20. Flexible Pipe	
7. Knob Bolt	14. Air Inlet Net	21. Swivel Pipe	

ASSEMBLY INSTRUCTIONS

ASSEMBLY OF BLOWER PIPES

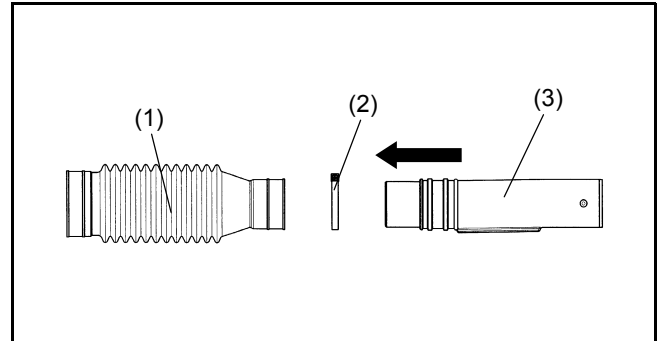
CAUTION : Before performing any work on the blower, always stop the engine and pull the spark plug connectors off the spark plug.

Always wear protective gloves!

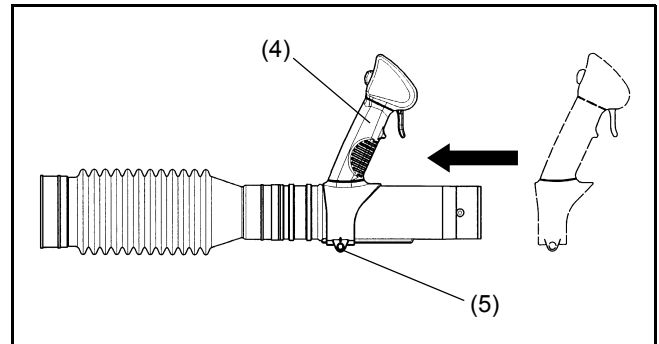
CAUTION : Start the blower only after having assembled it completely.



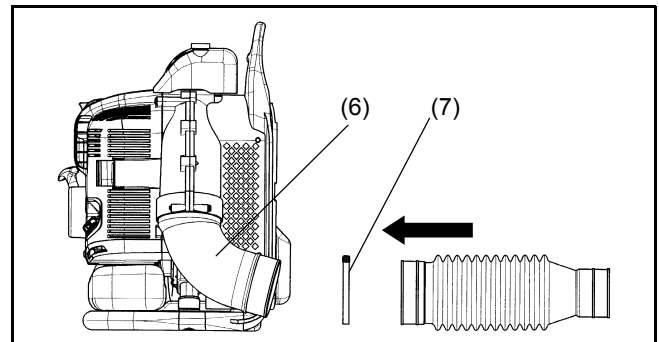
1. Assemble straight pipe with swivel (3) into flexible pipe (1) and tighten hose band $\varnothing 76$ (2).



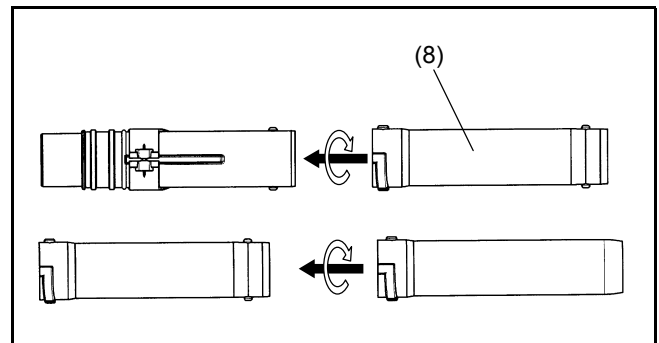
2. Install control handle (4) onto straight pipe with swivel and tighten the clamp screw (5).



3. Assemble flexible pipe to elbow (6) on blower and tighten hose band $\varnothing 100$ (7).



4. Assemble straight pipe (8) to straight pipe with swivel, turning straight pipe clockwise to lock it into place.



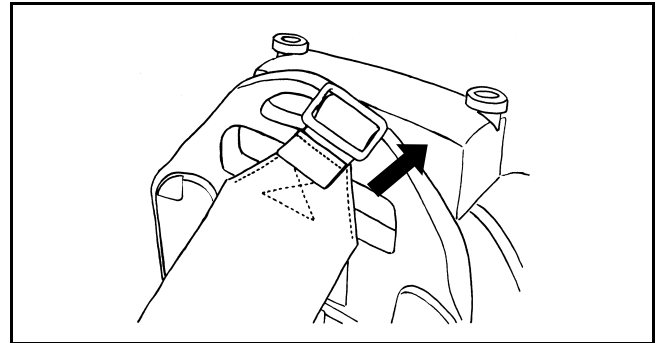
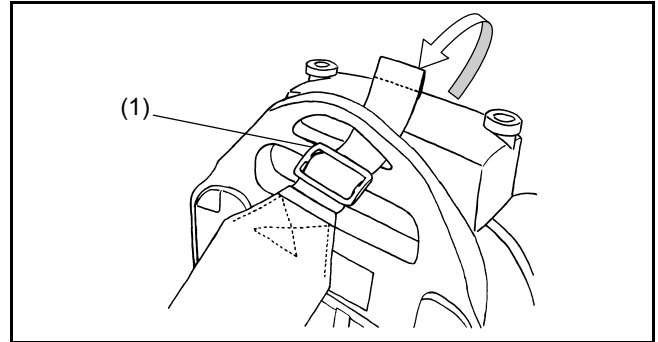
5. Make sure all clamps are tight.

ATTACHING THE SHOULDER STRAP

Attachment Procedure

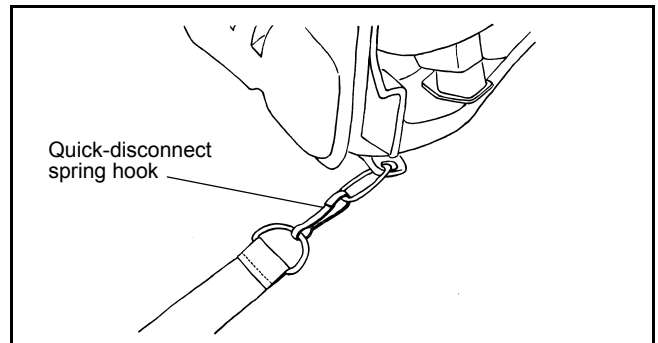
Attaching the shoulder strap to the blower.

- Loop the end of the strap through the lower part of the hanger as shown in the figure at right. The side of the strap that has the folded tip should be facing outwards. Then, bring the end of the strap back over the hanger and thread the remaining length of the strap through the buckle (1). Tighten the buckle (1) by pushing it towards the hanger in the direction of the arrow shown in the drawing while pulling on the strap in the opposite direction.
- After attaching the strap, tighten the buckle to the hanger. Tug strongly at the strap to make sure that the strap is secure and will not come undone.



- Attach the hook at the bottom of the shoulder strap to the ring on the frame.
- Make sure that the strap is not twisted.

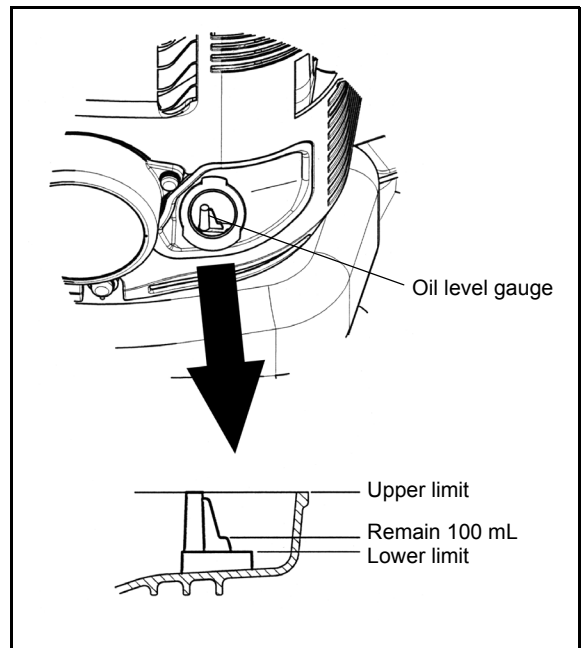
Caution: Please make sure that the strap is attached with the folded tip facing outwards. If the strap is used with the outside of the strap facing in, there is the risk that the strap may come loose causing the operator to drop the blower.



BEFORE STARTING THE ENGINE

1. Checking and Refilling Engine Oil

- 1) Follow the procedure below when the engine oil is cold i.e. the blower has not been running.
 - Inspection: Set the blower down on a level surface and remove the oil cap. Make sure that the oil level is within the upper and lower limit marks on the oil level gauge. If the oil is not up to the 100mL level, fill up with new oil.
 - Adding Oil: Set the blower down on a level surface and remove the oil cap. Fill the oil up to the upper limit of the oil level gauge.
- 2) On average, engine oil normally needs to be added after every 20 hours of operation. This interval for every change in oil corresponds to refuelling the blower approximately 10-15 times.
- 3) Please change the oil whenever it becomes dirty or significantly changes color. (Refer to p.15 for the oil change procedure and frequency.)



Recommended oil: Makita genuine oil or SAE10W-30 oil of API type SF grade or better (4 stroke motor oil for automobiles)

Oil capacity: Approximately 0.22 L (220 ml)

CAUTION

- If the blower is not stored in an upright position, the oil may flow from the level gauge into the engine and give a false reading when checking the oil level. This may result in inadvertently overfilling whenever adding engine oil. Always store in an upright position.
- If the upper oil level limit is exceeded, the oil may become dirty and white smoke may appear due to burning excessive oil.

Check Point #1: The oil cap

- Wipe off dirt and grime around the opening before removing the oil cap.
- Remove the oil cap and place it on a clean surface so that it does not accumulate any sand, dirt, or other foreign materials. These may stick to the cap and adulterate the engine oil. Dirty oil containing sand, dirt, or foreign materials may cause excessive wear on the engine due to improper lubrication and cause a breakdown.

Check Point #2: Oil spillage

- Oil spillage on the outside on the blower may cause the engine oil becoming dirty or adulterated. Therefore, please wipe off any oil spillage before starting the engine.

2. Fuel supply



- When refuelling the unit, be sure to observe the following instructions to prevent ignition or fire:
 - Fuel supply must be made in a place free of fire. Never bring the fire (smoking, etc.) near the place of fuel supply.
 - Stop the engine and allow the engine to cool down before refuelling.
 - Open the fuel tank cap slowly. The fuel may be spilled out under internal pressure.
 - Take care not to spill the fuel. Any spilled fuel must be wiped clean.
 - Carry out fuel supply in a well-ventilated place.
- Handle the fuel with care.
 - Fuel sticking to the skin or entering an eye may cause allergies or irritation. When any physical abnormality is detected, consult the medical specialist immediately.
- DO NOT put oil in the fuel tank.

STORAGE PERIOD OF FUEL

Fuel should be used within a period of 4 weeks, even if it is kept in a special container in a well-ventilated and shaded area. Otherwise, fuel may deteriorate in one day.

Storage of machine and refill tank

- Keep the machine and tank at a cool place free from direct sunshine.
- Never keep the fuel in a car.

FUEL

The engine is a four-stroke engine. Be sure to use an automobile gasoline (regular gasoline or premium gasoline).

Points for Fuel

- Never use a gasoline mixture which contains engine oil. Otherwise, it will cause excessive carbon accumulation or mechanical troubles.
- Use of deteriorated oil will cause irregular start-up.

When refuelling, stop the engine and wait for the engine to cool down.

REFUELLING METHOD

- Loosen the tank cap a little to release the tank pressure.
- Detach the tank cap, and refuel, discharging air by tilting the fuel tank so that the refuel port will be oriented upward. DO NOT fill fuel up to the top of the tank.
- After refuelling, securely tighten the tank cap.
- If there is any flaw or damage on the tank cap, replace it.
- The tank cap wears out in course of time. Replace it every two to three years.
- DO NOT put fuel in the oil fill port.

OPERATION



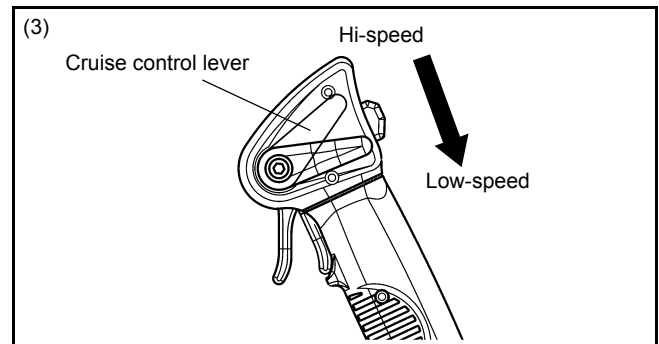
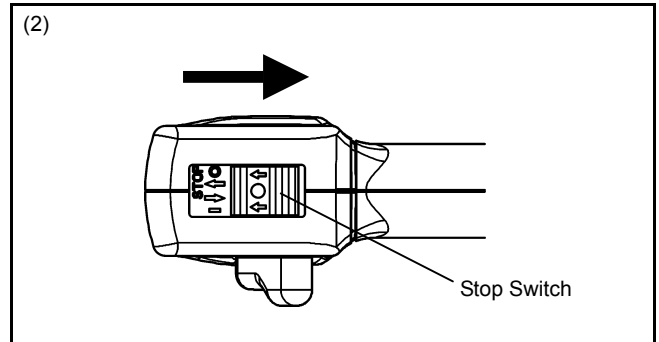
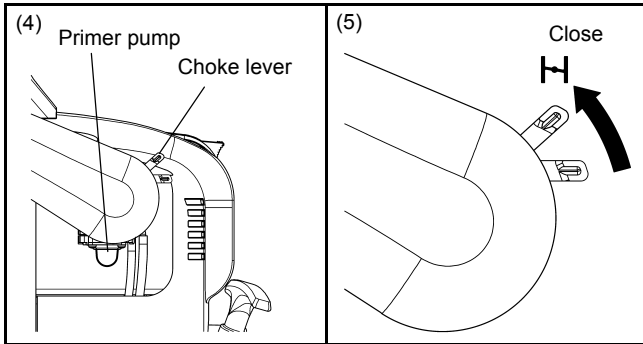
1. Starting

WARNING

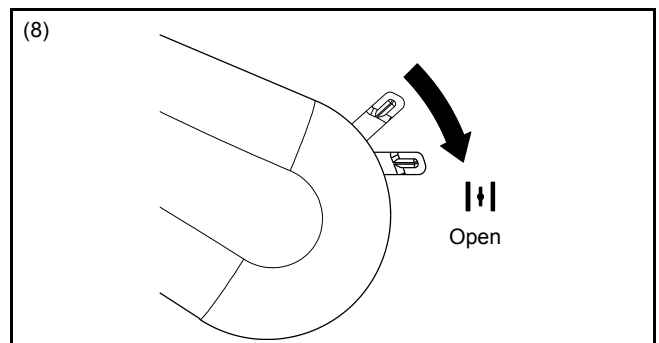
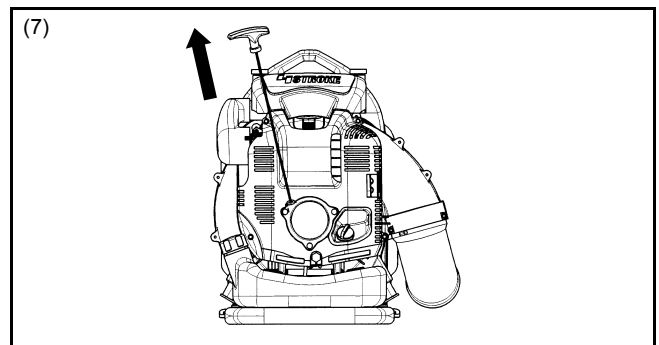
- Never attempt engine start in a place where the fuel has been supplied.
 - It may cause ignition or fire. When starting the engine, keep a distance of at least 3 m.
- Exhaust gas from the engine is toxic. Do not operate the engine in a poorly-ventilated place, such as in a tunnel, building, etc.
 - Operating the engine in the poorly-ventilated place may cause poisoning by exhaust gas.
- In case of detection of any abnormality in sound, odor, vibration after starting, stop the engine immediately and carry out inspection.
 - If the engine is operated without attending such abnormality, an accident may occur.
- Make sure that the engine stops when the stop switch is set to "O" position.

1) When the engine is cold or after refuelling

- (1) Set this machine on a flat space.
- (2) Set the stop switch to "I" position.
- (3) Make sure that the cruise control lever is in the low-speed position.
- (4) Continue to push the primer pump until fuel comes into the primer pump.
 - In general, fuel comes into the carburetor by 7 to 10 pushes.
 - If the primer pump is pushed excessively, an excess of gasoline returns to the fuel tank.
- (5) Lift the choke lever to the closed position.



- (6) Hold the element cover with left hand to prevent the engine from moving.
- (7) Pull out slowly the starter handle till a certain resistance is felt. Return the starter handle backward once from this position, then pull it out with force.
 - Never pull the rope to the full extension.
 - Once the start knob is pulled, never release your hand immediately. Hold the start knob until it returns to its original point.
- (8) When the engine starts, open the choke lever.
 - Open the choke lever fully when checking the engine operation.
 - In cold or when the engine is cooled down, never open the choke lever suddenly. Otherwise, the engine may stop.
- (9) Continue warm-up operation for 2 to 3 minutes.
- (10) Warm-up is complete when there is quick engine acceleration from low rpm to full throttle.



NOTE

- The engine may be damaged if the choke lever is moved further beyond the “CLOSE” position.
- If the engine fires and stops, return this lever to the “OPEN” position and pull the starter handle several times to start the engine again.
- If the operator keeps pulling the starter handle several times with the choke lever left in the “CLOSE” position, the engine may be difficult to start because of flooding of the fuel.
- In case of flooding of the fuel, remove the spark plug and pull the handle several times rapidly to discharge any excess fuel. Dry the spark plug electrode.
- When the throttle valve does not return to a position in contact with the idling adjusting screw even if the throttle lever is set to the low speed, correct the control cable catching state to ensure proper return of the valve.

2) When the engine is warm

- (1) Put the engine on a flat ground.
- (2) Press the primary pump several times.
- (3) Make sure that the choke lever is open.
- (4) Hold the element cover with left hand to prevent the engine from moving.
- (5) Pull out slowly the starter handle till a certain resistance is felt. Return the starter handle backward once from this position, then pull it out with force.
- (6) When the engine is difficult to start, open the throttle valve by about 1/3.

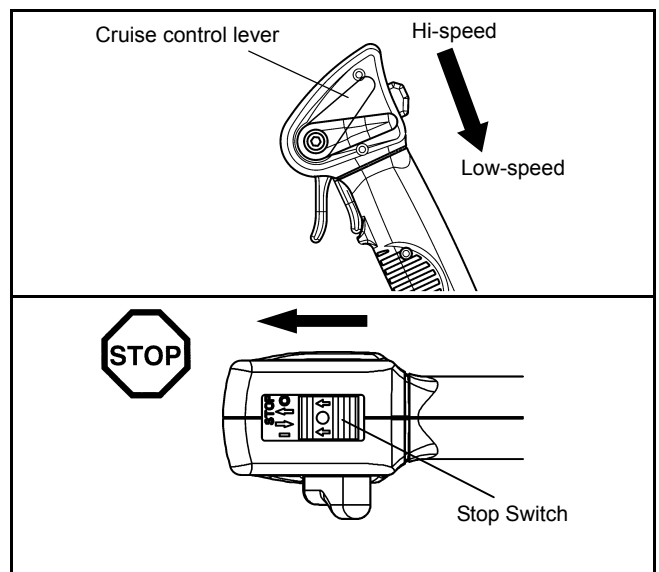
2. Stopping

1) When the cruise control lever is a Low-speed position.

Release the trigger lever to reduce the engine speed, and set the stop switch to the “O” position.

2) When the cruise control lever is except a Low-speed position.

Set the cruise control lever to the Low-speed position, reduce the engine speed, and set the stop switch to the “O” position.



ADJUSTMENT OF IDLING



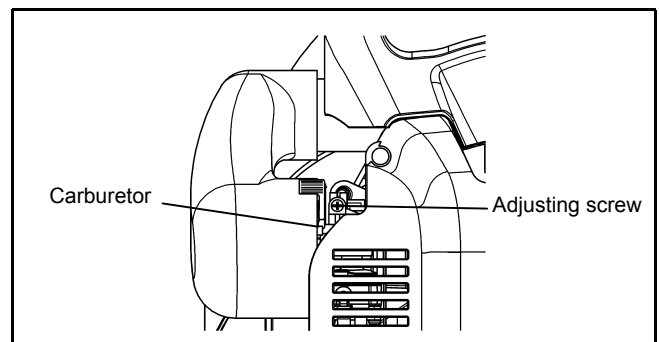
DANGER

The carburetor is factory adjusted. Please do not adjust other than idling adjusting. When adjustment becomes necessary, please consult your dealership or an authorized service agent.

Checkup of low-speed rotation

Set the low-speed rotation to 2800 rpm (/min).

- If it is necessary to change the rotation speed, regulate the adjusting screw, with Phillips screwdriver.
- Turn the adjusting screw to the right, and the engine speed will increase. Turn the adjusting screw to the left, and the engine speed will drop.



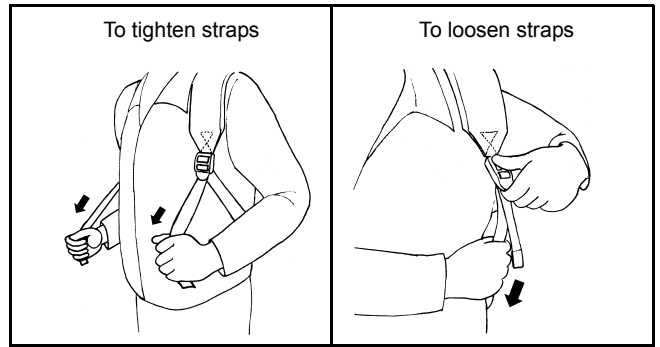
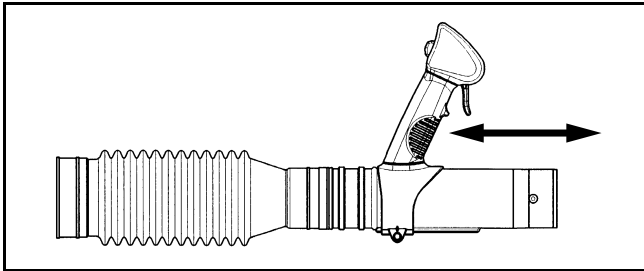
OPERATION METHOD

1. Adjusting Shoulder strap

Adjust the shoulder strap to a length that is comfortable to work while carrying the blower. Adjust as shown in the figure.

2. Adjusting the control lever

Move the control handle along the swivel pipe to the most comfortable position.



3. Blower Operation

While operating the blower, adjust the throttle bar so that the wind force is appropriate for the work location and conditions.

Low speed: Dried leaves and grass

High speed: Gravel and dirt

The cruise control lever allows the operator to maintain a constant engine speed without operating the trigger lever.

Lifting the cruise control lever increases engine speed.

Lowering the cruise control lever decreases engine speed.

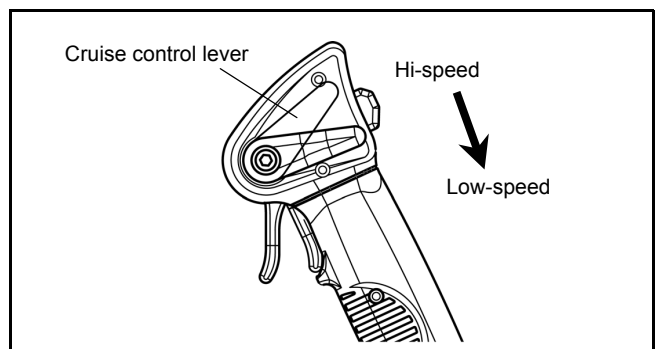
Adjusting engine speed when the cruise control lever is being used:

When increasing engine speed:

- Pull the trigger lever to increase engine speed. Engine speed returns to its original setting when the trigger lever is released.
- Increasing the engine speed in this manner also increases the cruise control setting. The cruise control lever lifts simultaneously as the trigger lever is pulled, and the new cruise control setting will be maintained at the higher engine speed.

When reducing engine speed:

- Lower the cruise control lever to the low-speed position.



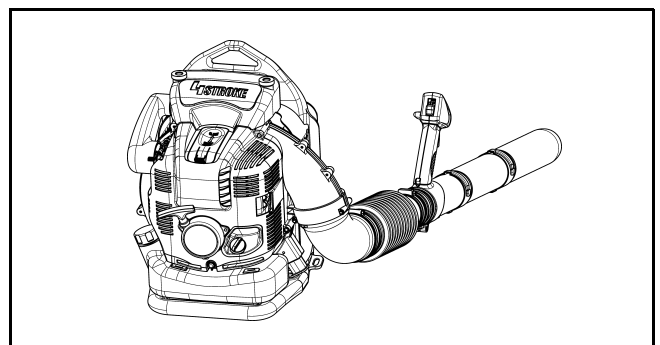
TRANSPORTING AND STORING THE BLOWER

Please maintain the blower in an upright position whenever transporting or storing. (Refer to Figure at right.)

Transporting or storing in a position that is not upright may cause oil to spill inside the blower engine. This may result in oil leaks and white smoke from burning oil, and the air cleaner may become dirty with oil.



- When transporting the blower, be sure to stop the engine.





DANGER

- Before inspection and maintenance, stop the engine and allow it to cool down. Remove the spark plug and plug cap.
 - Otherwise the operator may suffer burn or serious injury due to an accidental start-up.
- After inspection and maintenance, make sure that all parts are assembled. Then, proceed to operation.

1. Replacement of engine oil

Deteriorated engine oil will shorten the life of the sliding and rotating parts to a great extent. Be sure to check the period and quantity of replacement.

DANGER

- In general, the engine main unit and engine oil still remain hot just after the engine is stopped. In replacement of oil, make sure that the engine main unit and engine oil are sufficiently cooled down. Otherwise, there may remain a risk of scald. Allow sufficient time after stopping engine for the engine oil to return to the oil tank to ensure accurate reading of the oil level indicator.
- If the oil filled above the limit, it may become dirty or may catch fire with white smoke.

Interval of replacement: After first 20 operating hours, followed by every 50 operating hours

Recommended oil: SAE10W-30 oil of API Classification SF Class or higher (4-stroke engine oil for automobile)

Oil Change Procedure

Please follow these steps when changing the oil:

- (1) Set the blower down on a level surface.
- (2) Put a waste oil container under the drainage hole (1) to catch the oil as it drains out. The container should have a capacity of at least 220 ml to be able to catch all of the oil.
- (3) Loosen the oil drain bolt (2) to let the oil drain out. Be careful not to allow oil to get on the fuel tank or other parts.

Caution: Be careful not to lose the gasket (aluminum washer) (3). Put the oil drain bolt (2) in a location where it will not accumulate dirt.

- (4) Remove the oil cap (4). (Removing the oil cap (4) allows the oil to drain easily.)

Caution: Be sure to set the oil cap (4) down in a location where it will not accumulate dirt.

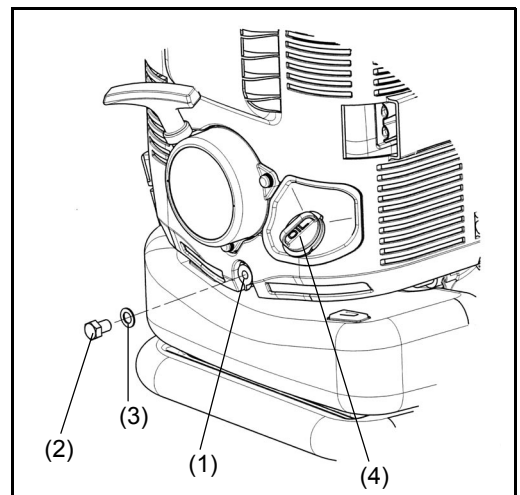
- (5) As the level of the oil being drained decreases, tilt the blower over on to the side with the drain so that the oil will completely drain out.
- (6) After the oil has completely drained out, tighten the oil drain bolt (2) securely. If the bolt is not tightly fastened, this may result in an oil leak.

Caution: Do not forget to put the gasket (aluminum washer) (3) back on when reattaching the drain plug.

- (7) Adding oil during the oil change procedure is performed in the same manner as the separately explained procedure for adding oil whenever the level is insufficient. Always add oil by filling from the opening under the oil cap.

(Specified oil level: Approximately 220 ml)

- (8) After filling with oil, tighten the oil cap (4) securely to prevent oil leaks.



Points in replacement of engine oil

- Never discard replaced engine oil in garbage, earth or sewage ditch. Disposal of oil is regulated by law. In disposal, always follow the relevant laws and regulations. For any points remaining unknown, contact Authorized Service Agent.
- Oil will deteriorate even when it is kept unused. Perform inspection and replacement at regular intervals (replace with new oil every 6 months).

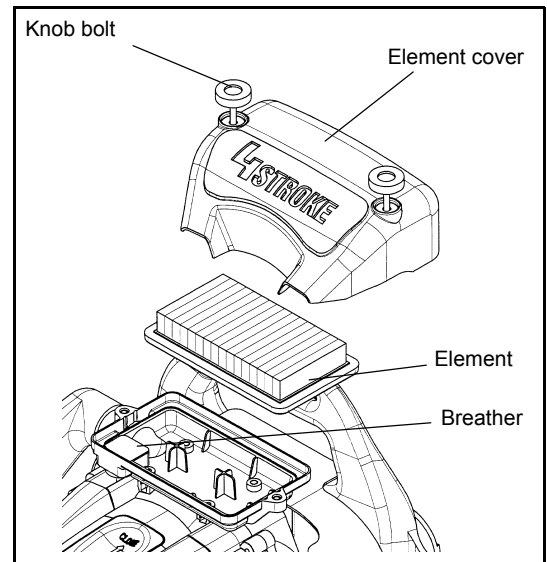
2. Cleaning of air cleaner



WARNING: INFLAMMABLES STRICTLY PROHIBITED

Interval of Cleaning and Inspection: Daily (every 10 operating hours)

- (1) Loosen the knob bolts.
- (2) Remove the air cleaner cover.
- (3) Take out the element and remove any dirt from the element with the brush.
Note: The element is a dry type and should not get wet. Never wash with water.
- (4) Replace the element with a new one if it is damaged or very dirty.
- (5) Wipe off any oil that has come in to contact with the breather with a rag or cloth.
- (6) Install the element in the cleaner case.
- (7) Attach the air cleaner cover and tighten the knob bolt.



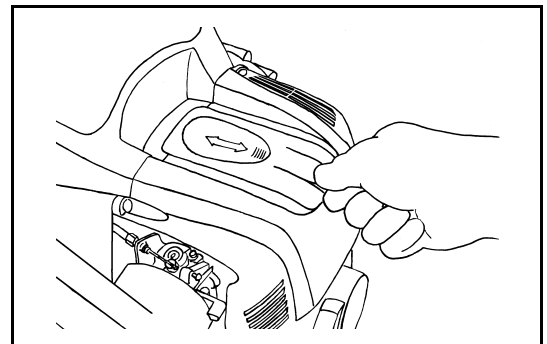
DANGER

- Clean the element several times a day, if excessive dust adheres to it.
- If operation continues with the element remaining not cleared of oil, oil in the air cleaner may fall outside, resulting in oil contamination.

3. Checking the spark plug

CAUTION

- When removing the spark plug, clean the spark plug and cylinder head first, so that no dirt, sand, etc will enter the cylinder.
- You must remove the spark plug after the engine has cooled down in order to avoid damaging the threaded hole in the cylinder.
- The spark plug must be installed properly into the threaded hole. If installed at an angle, the threaded hole in the cylinder will get damaged.



(1) Opening/closing the plug cover

To open the plug cover, pull up on the seam of the plug cover projection and slide in the direction of the "OPEN" indication as shown in the figure at right.

When closing the cover, slide the cover in the "CLOSE" direction till the click under the plug cover projection rides over the engine cover. Finally, push in the projection.

(2) Removing the spark plug

Use an attached box wrench to remove or install the spark plug.

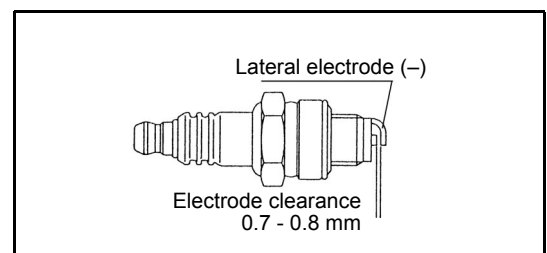
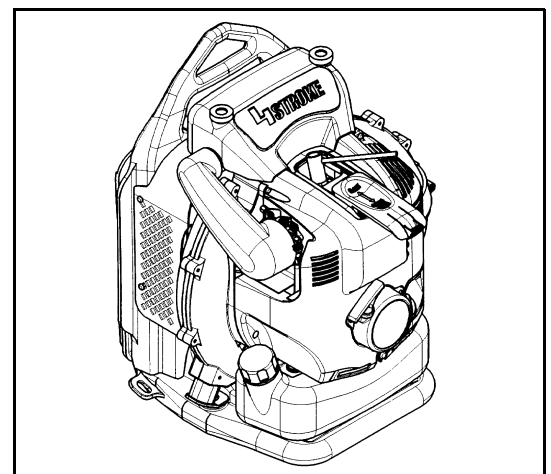
(3) Checking the spark plug

The clearance between two electrodes of spark plug (see the figure left) is 0.7 to 0.8 mm. Adjust to the correct clearance when it is too wide or too narrow.

Clean thoroughly or replace the spark plug if it has accumulated carbon or contaminated.

(4) Replacing the spark plug

For replacement, use NGK-CMR6A.



4. Cleaning the fuel filter

- Clogged fuel filter may cause difficulty of start-up or failure of engine speed increase.
- Check the fuel filter regularly as follows:
 - (1) Remove the fuel tank cap, drain the fuel to empty the tank. Check the tank inside for any foreign materials. If any, wipe clean such materials.
 - (2) Pull out the fuel filter with wire through the oil filling port.
 - (3) If the fuel filter surface is contaminated, clean it with gasoline. The gasoline used for the cleaning must be disposed of according to the method specified by each local authority. Excessively contaminated filter must be replaced.
 - (4) Reset the fuel filter in the fuel tank and tighten firmly the fuel tank cap. For replacement, contact your dealership or an authorized service agent.

5. Inspection of bolts, nuts and screws

- Retighten loose bolts, nuts, etc.
- Check for fuel and oil leakage.
- Replace damaged parts with new ones for safety operation.

6. Cleaning of parts

- Keep engine clean by wiping down with a cloth rag.
- Keep the cylinder fins free of dust or dirt. Dust or dirt adhering to the fins will cause seizure.
- Blowing air is taken in from the air inlet net. When airflow has dropped down during operation, stop engine and inspect the air inlet net for blocking by obstacles.
- Such a blockage may cause overheat and damage the engine.

WARNING:



Never use the blower without the net of the blower. Before each use, check that the net is attached in place and is free from any damage.

7. Replacement of gaskets and packings

Replace gaskets and packings if the engine is disassembled.

Any maintenance of adjustment work that is not included and described in this manual is only to be performed by Authorized Service Agent.

STORAGE

! WARNING

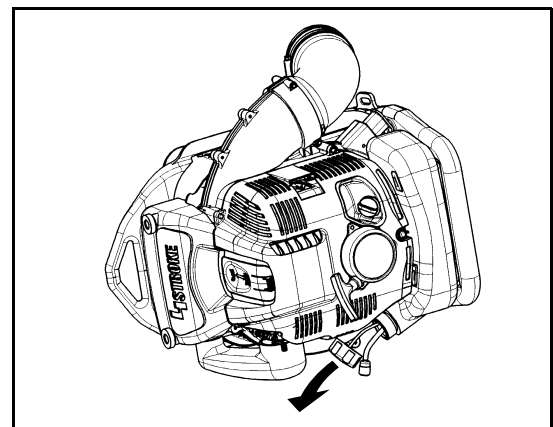
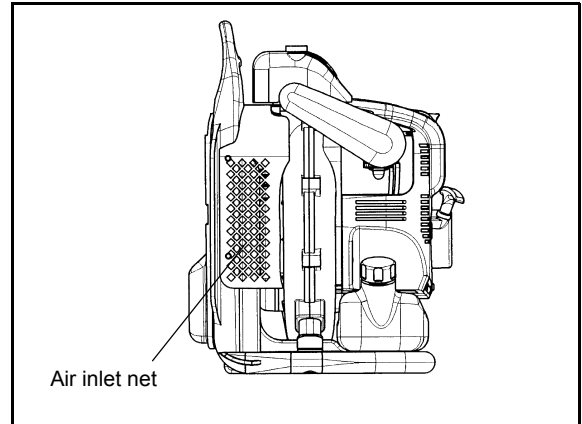
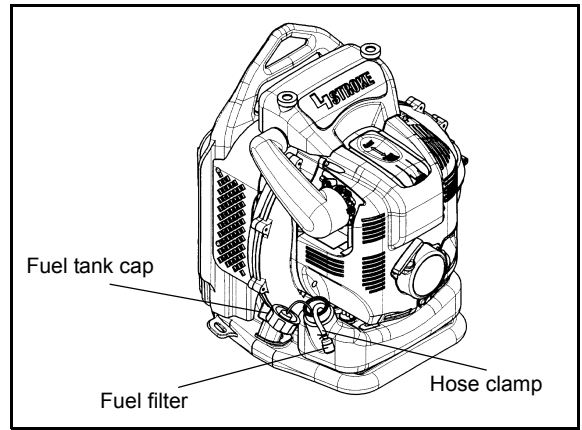
- When draining the fuel, stop the engine and wait for the engine to cool down.
 - Failure to do so may cause burns or fire.

! DANGER

- When you store the machine for a long time, drain all fuel from the fuel tank and carburetor, and keep it at a dry and clean place.

Drain fuel from the fuel tank and carburetor according to the following procedure:

- (1) Remove the fuel tank cap, and drain fuel completely.
If there is any foreign materials remaining in the fuel tank, remove it completely.
- (2) Pull out the fuel filter from the refill port using a wire.
- (3) Push the primer pump until fuel is drained from there, and drain fuel coming into the fuel tank.
- (4) Reset the filter to the fuel tank, and securely tighten the fuel tank cap.
- (5) Then, continue to operate the engine until it stops.
- (6) Remove the spark plug, and drip several drops of engine oil through the spark plug hole.
- (7) Gently pull the starter handle so that engine oil will spread over the engine, and attach the spark plug.
- (8) Keep the machine with its handle upside.
- (9) Keep the drained fuel in a special container in a well-ventilated shade.



Fault location

Fault	System	Observation	Cause
Engine not starting or with difficulty	Ignition system	Ignition spark O.K.	Fault in fuel supply or compression system, mechanical defect
		No ignition spark	STOP-switch operated, wiring fault or short circuit, spark plug or connector defective, ignition module faulty
	Fuel supply	Fuel tank filled	Incorrect choke position, carburetor defective, fuel supply line bent or blocked, fuel dirty.
	Compression	No compression when pulled over	Cylinder bottom gasket defective, crankshaft seals damaged, cylinder or piston rings defective or improper sealing of spark plug
Warm start problems	Mechanical fault	Starter not engaging	Broken starter spring, broken parts inside of the engine
		Tank filled ignition spark existing	Carburetor contaminated, have it cleaned
Engine starts but dies	Fuel supply	Tank filled	Incorrect idling adjustment, carburetor contaminated Fuel tank vent defective, fuel supply line interrupted, cable or STOP-switch faulty
Insufficient performance	Several systems may simultaneously be affected	Engine idling poor	Air filter contaminated, carburetor contaminated, muffler clogged, exhaust duct in the cylinder clogged

Item	Operating time		Operating time						Shutdown/ rest	Corre- sponding Page
			Before operation	After lubrication	Daily (10h)	30h	50h	200h		
Engine oil	Inspect/clean	○								10
	Replace					○*1				15
Tightening parts (bolt, nut)	Inspect	○								17
Fuel tank	Clean/inspect	○								-
	Drain fuel							○*3		17
Throttle lever	Check function		○							-
Stop switch	Check function		○							12
Low-speed rotation	Inspect/adjust			○						13
Air cleaner	Clean			○						16
Ignition plug	Inspect			○						16
Cooling air duct	Clean/inspect			○						17
Fuel pipe	Inspect			○						17
	Replace							◎*2		-
Fuel filter	Clean/replace					○				17
Clearance between air intake valve and air discharge valve	Adjust							◎*2		-
Oil tube	Inspect							◎*2		-
Engine overhaul								◎*2		-
Carburetor	Drain fuel							○*3		17

*1 Perform initial replacement after 20h operation.

*2 For the 200 operating hour inspection, request Authorized Service Agent or a machine shop.

*3 After emptying the fuel tank, continue to run the engine and drain fuel in the carburetor.

TROUBLESHOOTING

Before making a request for repairs, check a trouble for yourself. If any abnormality is found, control your machine according to the description of this manual. Never tamper or dismount any part contrary to the description. For repairs, contact Authorized Service Agent or local dealership.

State of abnormality	Probable cause (malfunction)	Remedy
Engine does not start	Failure to operate primer pump	Push 7 to 10 times.
	Low pulling speed of starter rope	Pull strongly.
	Lack of fuel	Feed fuel.
	Clogged fuel filter	Clean
	Broken fuel tube	Straighten fuel tube
	Deteriorated fuel	Deteriorated fuel makes starting more difficult. Replace with new one. (Recommended replacement: 1 month)
	Excessive suction of fuel	Set throttle lever from medium speed to high speed, and pull starter handle until engine starts. If engine will not start still, remove spark plug, make electrode dry, and reassemble them as they originally are. Then, start as specified.
	Detached plug cap	Attach securely
	Contaminated spark plug	Clean
	Abnormal clearance of spark plug	Adjust clearance
	Other abnormality of spark plug	Replace
	Abnormal carburetor	Make request for inspection and maintenance.
	Starter rope cannot be pulled	Make request for inspection and maintenance.
	Abnormal drive system	Make request for inspection and maintenance.
Engine stops soon Engine speed does not increase	Insufficient warm-up	Perform warm-up operation
	Choke lever is set to "CLOSE" although engine is warmed up	Set to "OPEN"
	Clogged fuel filter	Clean
	Contaminated or clogged air cleaner	Clean
	Abnormal carburetor	Make request for inspection and maintenance.
	Abnormal drive system	Make request for inspection and maintenance.
	Detached throttle wire	Attach securely
Engine does not stop. ↓ Run engine at idling, and set choke lever to CLOSE.	Detached connector	Attach securely
	Abnormal electric system	Make request for inspection and maintenance.

When the engine does not start after warm-up operation:

If there is no abnormality found for the check items, open the throttle by about 1/3 and start the engine.

Makita LIMITED ONE YEAR WARRANTY

Warranty Policy

Every Makita tool is thoroughly inspected and tested before leaving the factory. It is warranted to be free of defects from workmanship and materials for the period of ONE YEAR from the date of original purchase. Should any trouble develop during this one year period, return the COMPLETE tool, freight prepaid, to one of Makita's Factory or Authorized Service Centers. If inspection shows the trouble is caused by defective workmanship or material, Makita will repair (or at our option, replace) without charge.

This Warranty does not apply where:

- repairs have been made or attempted by others:
- repairs are required because of normal wear and tear:
- the tool has been abused, misused or improperly maintained:
- alterations have been made to the tool.

IN NO EVENT SHALL Makita BE LIABLE FOR ANY INDIRECT, INCIDENTAL OR CONSEQUENTIAL DAMAGES FROM THE SALE OR USE OF THE PRODUCT. THIS DISCLAIMER APPLIES BOTH DURING AND AFTER THE TERM OF THIS WARRANTY.

Makita DISCLAIMS LIABILITY FOR ANY IMPLIED WARRANTIES, INCLUDING IMPLIED WARRANTIES OF "MERCHANTABILITY" AND "FITNESS FOR A SPECIFIC PURPOSE," AFTER THE ONE YEAR TERM OF THIS WARRANTY.

This Warranty gives you specific legal rights, and you may also have other rights which vary from state to state.

Some states do not allow the exclusion or limitation of incidental or consequential damages, so the above limitation or exclusion may not apply to you. Some states do not allow limitation on how long an implied warranty lasts, so the above limitation may not apply to you.

EMISSION COMPLIANCE PERIOD

For handheld engines : The Emissions Compliance Period referred to on the Emissions Compliance label indicates the number of operating hours for which the engine has been shown to meet Federal emission requirements.

Category C=50 hours, B=125 hours, and A=300 hours.

Air Index and durability period information

The Air Index Information hang-tag for this engine is provided in accordance with the California emission regulations.

The graphical representation of the Air Index on the hang-tag shows the emissions performance of this engine, and can be used to compare the emissions performance with other available engines.

The lower the Air Index, the less pollution.

Note: Remove the hang-tag before operating the engine.

The Emissions Durability Period referred to on the hang-tag indicates the number of operating hours for which the engine has been shown to meet the California emission requirements.

Descriptive term	Applicable to Emissions Durability Period
Moderate	50 hours (0-80 cc, inclusive)
Intermediate	125 hours (0-80 cc, inclusive)
Extended	300 hours (0-80 cc, inclusive)

FEDERAL EMISSION COMPONENT DEFECT WARRANTY

EMISSION COMPONENT DEFECT WARRANTY COVERAGE - This emission warranty is applicable in all States, except the State of California

Makita U.S.A., Inc., (herein “**Makita**”) warrant to the initial retail purchaser and each subsequent owner, that this utility equipment engine (herein “engine”) was designed, built, and equipped to conform at the time of initial sale to all applicable regulations of the U.S. Environmental Protection Agency (EPA), and that the engine is free of defects in materials and workmanship which would cause this engine to fall to conform with EPA regulations during its warranty period.

For the components listed under PARTS COVERED, the dealer or service center authorized by **Makita** will, at no cost to you, make the necessary diagnosis, repair, or replacement necessary to ensure that the engine complies with applicable U.S. EPA regulations.

EMISSION COMPONENT DEFECT WARRANTY PERIOD

The warranty period for this engine begins on the date of sale to the initial purchaser and continues for a period of 2 years.

PARTS COVERED

Listed below are the parts covered by the Emission Component Defect Warranty. Some of the parts listed below may require scheduled maintenance and are warranted up to the first scheduled replacement point for that part.

- | | |
|---------------------------------------|---|
| 1) Fuel Metering System | 4) Miscellaneous Items Used in Above Systems |
| (i) Carburetor and internal parts | (i) Fuel hoses, clamps and sealing gaskets |
| (ii) Fuel filter, if applicable | |
| (iii) Throttle stopper, if applicable | |
| (iv) Choke System, if applicable | |
| 2) Air Induction System | 5) Emission-related components for evaporative emission |
| (i) Air cleaner plate | (i) Fuel Tank |
| (ii) Air cleaner case | (ii) Fuel Cap |
| (iii) Air cleaner element | (iii) Fuel line |
| | (iv) Fuel line fitting |
| | (v) Clamps |
| 3) Ignition System | |
| (i) Spark plug | |
| (ii) Flywheel Magneto | |
| (iii) Ignition Coil | |

OBTAINING WARRANTY SERVICE

To obtain warranty service, take your engine to the nearest **Makita Factory Service Center authorized by Makita**. Bring your sales receipts indicating date of purchase for this engine. The dealer or service center authorized by **Makita** will perform the necessary repairs or adjustments within a reasonable amount of time and furnish you with a copy of the repair order. All parts and accessories replaced under this warranty become the property of **Makita**.

WHAT IS NOT COVERED

- * Conditions resulting from tampering, misuse, improper adjustment (unless they were made by the dealer or service center authorized by **Makita** during a warranty repair), alteration, accident, failure to use the recommended fuel and oil, or not performing required maintenance services.
- * The replacement parts used for required maintenance services.
- * Consequential damages such as loss of time, inconvenience, loss of use of the engine or equipment, etc.
- * Diagnosis and inspection charges that do not result in warranty-eligible service being performed.
- * Any non-authorized replacement part, or malfunction of authorized parts due to use of non-authorized parts.

OWNER'S WARRANTY RESPONSIBILITIES

As the engine owner, you are responsible for the performance of the required maintenance listed in your owner's manual, **Makita** recommends that you retain all receipts covering maintenance on your engine, but **Makita** can not deny warranty solely for the lack of receipts or for your failure to ensure the performance of all scheduled maintenance.

As the engine owner, you should however be aware that the **Makita** may deny your warranty coverage if your engine or a part has failed due to abuse, neglect, improper maintenance or unapproved modifications.

You are responsible for presenting your engine to the nearest dealer or service center authorized by **Makita** when a problem exists.

If you have any questions regarding your warranty rights and responsibilities, you should contact the Followings:

- * For the nearest Makita service center, please visit www.makitatools.com
- * For technical support or questions regarding operation of our tools and accessories call: 1-800-4-Makita
- * Makita USA Inc. Corporate Office: 14930 Northam St. La Mirada, CA 90638-5753

(For Canada)

- * For the authorized service center nearest you please refer to the local yellow pages directory under "tools", or contact our customer service department Tel 1-800-263-3734(Canada only), or visit our web site www.makita.ca
- * Makita Canada Inc. Head Office & Plant: 1950 Forbes Street, Whitby, ON L1N7B7.

THINGS YOU SHOULD KNOW ABOUT THE EMISSION CONTROL SYSTEM WARRANTY

MAINTENANCE AND REPAIRS

You are responsible for the proper use and maintenance of the engine. You should keep all receipts and maintenance records covering the performance of regular maintenance in the event questions arise. These receipts and maintenance records should be transferred to each subsequent owner of the engine. **Makita** reserves the rights to deny warranty coverage if the engine has not been properly maintained. Warranty claims will not be denied, however, solely because of the lack of required maintenance or failure to keep maintenance records.

MAINTENANCE, REPLACEMENT OR REPAIR OF EMISSION CONTROL DEVICES AND SYSTEMS MAY BE PERFORMED BY ANY REPAIR ESTABLISHMENT OR INDIVIDUAL; HOWEVER, WARRANTY REPAIRS MUST BE PERFORMED BY A DEALER OR SERVICE CENTER AUTHORIZED BY **Makita**. THE USE OF PARTS THAT ARE NOT EQUIVALENT IN PERFORMANCE AND DURABILITY TO AUTHORIZED PARTS MAY IMPAIR THE EFFECTIVENESS OF THE EMISSION CONTROL SYSTEM AND MAY HAVE A BEARING ON THE OUTCOME OF A WARRANTY CLAIM.

If other than the parts authorized by **Makita** are used for maintenance replacements or for the repair of components affecting emission control, you should assure yourself that such parts are warranted by their manufacturer to be equivalent to the parts authorized by **Makita** in their performance and durability.

HOW TO MAKE A CLAIM

All repairs qualifying under this limited warranty must be performed by **a service dealer authorized by Makita**. In the event that any emission-related part is found to be defective during the warranty period, you shall notify **Makita at the following contacts and you will be advised of the appropriate warranty service dealer or service providers where the warranty repair can be performed.**

- * For the nearest Makita service center, please visit www.makitatools.com
- * For technical support or questions regarding operation of our tools and accessories call: 1-800-4-Makita
- * Makita USA Inc. Corporate Office: 14930 Northam St. La Mirada, CA 90638-5753

(For Canada)

- * For the authorized service center nearest you please refer to the local yellow pages directory under "tools", or contact our customer service department Tel 1-800-263-3734(Canada only), or visit our web site www.makita.ca
- * Makita Canada Inc. Head Office & Plant: 1950 Forbes Street, Whitby, ON L1N7B7.

CALIFORNIA EMISSIONS CONTROL WARRANTY STATEMENT YOUR WARRANTY RIGHTS AND OBLIGATIONS

The California Air Resources Board and **Makita USA, Inc** are pleased to explain the emissions control system's warranty on your 2007 and later small off-road engine. In California, new equipment that use small off-engines must be designed, built, and equipped to meet the State's stringent anti-smog standards. **Makita USA, Inc** must warrant the emissions control system on your small off-road engine for the period listed below provided there has been no abuse, neglect or improper maintenance of your equipment.

Your emissions control system may include parts such as: carburetors or fuel injection system, ignition system, catalytic converters, fuel tanks, valves, filters, clamps, connectors, and other associated components. Also, included may be hoses, belts, connectors, sensors, and other emission-related assemblies.

Where a warrantable condition exists, **Makita USA, Inc** will repair your small off-road engine at no cost to you including diagnosis, parts and labor.

MANUFACTURER'S WARRANTY COVERAGE:

This emissions control system is warranted for two years. If any emissions-related part on your equipment is defective, the part will be repaired or replaced by **Makita USA, Inc**.

OWNER'S WARRANTY RESPONSIBILITIES:

- As the small off-road engine owner, you are responsible for performance of the required maintenance listed in your owner's manual. **Makita USA, Inc** recommends that you retain all receipts covering maintenance on your small off-road engine, but **Makita USA, Inc** cannot deny warranty solely for the lack of receipts or your failure to ensure the performance of all scheduled maintenance.
- As the small off-road engine owner, you should however be aware that **Makita USA, Inc** may deny you warranty coverage if your small off-road engine or a part has failed due to abuse, neglect, or improper maintenance or unapproved modifications.
- You are responsible for presenting your small off-road engine to a **Makita Factory Service Center** as soon as the problem exists. The warranty repairs should be completed in a reasonable amount of time, not to exceed 30 days. If you have a question regarding your warranty coverage, you should contact:

* **For the nearest Makita service center, please visit www.makitatools.com**

* **For technical support or questions regarding operation of our tools and accessories call: 1-800-4-Makita**

* **Makita USA Inc. Corporate Office: 14930 Northam St. La Mirada, CA 90638-5753**

DEFECTS WARRANTY REQUIREMENTS:

- (a) The warranty period begins on the date the engine or equipment is delivered to an ultimate purchaser.
- (b) General Emissions Warranty Coverage. **Makita USA, Inc** must warrant to the ultimate purchaser and each subsequent owner that the engine or equipment is:
 - (1) Designed, built, and equipped so as to conform with all applicable regulations adopted by the Air Resources Board; and
 - (2) Free from defects in materials and workmanship that causes the failure of a warranted part for a period of two years.
- (c) The warranty on emissions-related parts will be interpreted as follows:

- (1) Any warranted part that is not scheduled for replacement as required maintenance in the written instructions required by subsection (d) must be warranted for the warranty period defined in Subsection (b)(2). If any such part fails during the period of warranty coverage, it must be repaired or replaced by the manufacturer according to Subsection (4) below. Any such part repaired or replaced under the warranty must be warranted for the remaining warranty period.
 - (2) Any warranted part that is scheduled only for regular inspection in the written instructions required by subsection (d) must be warranted for the warranty period defined in Subsection (b)(2). A statement in such written instructions to the effect of "repair or replace as necessary" will not reduce the period of warranty coverage. Any such part repaired or replaced under warranty must be warranted for the remaining warranty period.
 - (3) Any warranted part that is scheduled for replacement as required maintenance in the written instructions required by subsection (d) must be warranted for the period of time prior to the first scheduled replacement point for that part. If the part fails prior to the first scheduled replacement, the part must be repaired or replaced by the engine manufacturer according to Subsection (4) below. Any such part repaired or replaced under warranty must be warranted for the remainder of the period prior to the first scheduled replacement point for the part.
 - (4) Repair or replacement of any warranted part under the warranty must be performed at no charge to the owner at a warranty station.
 - (5) Notwithstanding the provisions of Subsection (4) above, warranty services or repairs must be provided at all manufacturer distribution centers that are franchised to service the subject engines.
 - (6) The owner must not be charged for diagnostic labor that leads to the determination that a warranted part is in fact defective, provided that such diagnostic work is performed at a warranty station.
 - (7) The manufacturer is liable for damages to other engine components proximately caused by a failure under warranty of any warranted part.
 - (8) Throughout the emissions warranty period defined in Subsection (b)(2), the manufacturer must maintain a supply of warranted parts sufficient to meet the expected demand for such parts.
 - (9) Any replacement part may be used in the performance of any warranty maintenance or repairs and must be provided without charge to the owner. Such use will not reduce the warranty obligations of the manufacturer.
 - (10) Add-on or modified parts that are not exempted by the Air Resources Board may not be used. The use of any non-exempted add-on or modified parts will be grounds for disallowing a warranty claim. The manufacturer will not be liable to warrant failures of warranted parts caused by the use of a non-exempted add-on or modified part.
 - (11) The manufacturer issuing the warranty shall provide any documents that describe that manufacturer's warranty procedures or policies within five working days of request by the Air Resources Board.
- (d) Emission Warranty Parts List.
- (1) Fuel Metering System
 - (i) Carburetor and internal parts
 - (ii) Fuel Filter
 - (iii) Fuel Tank.
 - (2) Air Induction System
 - (i) Air cleaner plate (including choke system)
 - (ii) Air cleaner cover
 - (iii) Air cleaner element

- (3) Ignition System
 - (i) Spark Plugs.
 - (ii) Magneto or electronic ignition system.
 - (iii) Spark advance/retard system.
- (4) Miscellaneous Items Used in Above Systems
 - (i) Hoses, Sealing gaskets, belts, connectors, and assemblies.

Makita USA, Inc will furnish with each new engine written instructions for the maintenance and use of the engine by the owner.

(e) MAINTENANCE STATEMENTS

It is your responsibility to have all scheduled inspection and maintenance services performed at the times recommended in the 2007 and later Owner's Manual and to retain proof that inspection and maintenance services are performed at the times when recommended. **Makita USA, Inc** will not deny a warranty claim solely because you have no record of maintenance;

however, **Makita USA, Inc** may deny a warranty claim if your failure to perform required maintenance resulted in the failure of warranted part. The proof, which you maintain, should be given to each subsequent owner of the engine. You are responsible for performing the scheduled maintenance described below based on the procedures specified in the 2007 and later Owner's Manual. The scheduled maintenance below is based on the normal engine-operating schedule.

PROCEDURE	INTERVAL
1) Clean engine and check bolts and nuts. Retighten if necessary.	:Every 8 hours(daily)
2) Check and refill engine oil (4stroke engine only)	:Every 8 hours(refill daily up to upper limit)
3) Change engine oil (4stroke engine only)	:Initial 20 hours and every 50 hours afterward
4) Check clogging of cooling air passage and cylinder fins. Remove and clean if necessary.	:Every 8 hours (daily)
5) Clean air cleaner.	:Every 8 hours (daily)
6) Check spark plug. Clean and adjust if necessary.	:Every 8 hours (daily)
7) Check muffler exhaust outlet(or port). Clean if necessary.	:Every 50 hours (monthly)
8) Check fuel filter. If clogged, replace with new one.	:Every 50 hours (monthly)
9) Adjust valve clearance, if applicable (4stroke engine only).	:Every 200 hours (yearly)
10) Replace fuel lines.	:Every 200 hours (yearly)
11) Clean and inspect the complete engine. Replace any damaged or worn out parts.	:Every 200 hours
12) Replace packings and gaskets with new ones.	:Every reassembling

Vous venez d'acheter un souffleur Makita, fruit d'importants programmes de développement et de nombreuses années d'études et d'expérience et nous vous en remercions.

Les modèles BBX7600 / BBX7600CA légers, pratiques et compacts, allient les avantages d'une technologie de pointe à une conception ergonomique et sont des outils de professionnels pour de nombreuses applications.

Lisez soigneusement le manuel, qui traite en détail des différents points des performances de la machine et vous aidera à en tirer le meilleur parti possible.

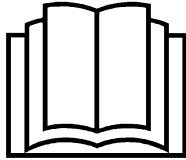


Table des Matières

	Page
Symboles	28
Consignes de sécurité	29-30
Caractéristiques techniques.....	32
Liste des pièces	33
Instructions de montage.....	34-35
Avant de démarrer le moteur	36-37
Fonctionnement	38-39
Réglage du ralenti.....	39
Mode opératoire	40
Inspection et maintenance	41-43
Remisage.....	43-44
Dépannage	45

SYMBOLES

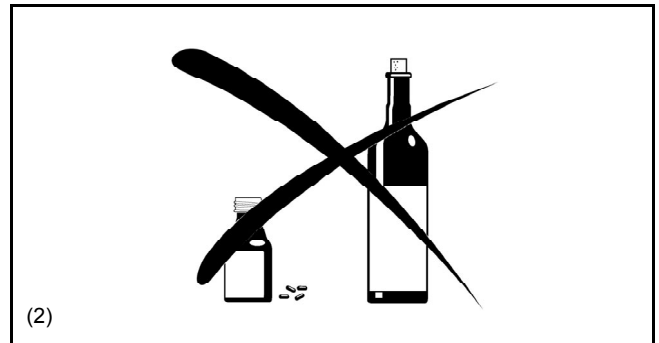
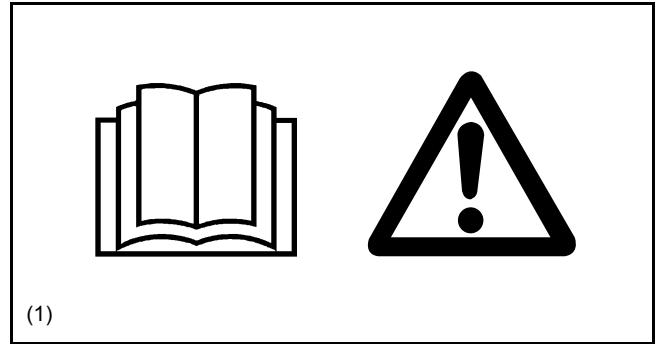
Lors de la lecture de ce manuel, prêtez une attention particulière aux symboles ci-après :

	Attention! Danger!		Essence et huile
	Lire et suivre le manuel de fonctionnement		Moteur - Mise en marche manuelle
	Interdit		Arrêt d'urgence
	Interdiction de fumer		Premiers secours
	Interdiction d'utilisation de produits inflammables		Recyclage
	Port de gants de protection obligatoire		Recyclage
	Zone de fonctionnement interdite aux humains et aux animaux		Marche
	Port de lunettes de protection et cache-oreilles obligatoire		Arrêt
	Surfaces chaudes - Risque de brûlures		Mutilation du doigt ou du bras, Roue mobile

CONSIGNES DE SECURITE

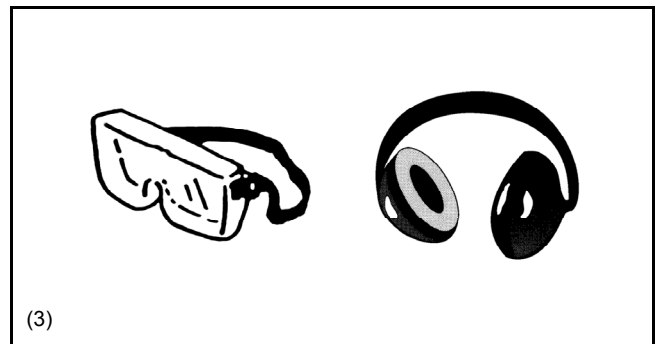
Généralités

- Pour tirer le meilleur parti de votre machine, vous devez lire, assimiler et respecter les instructions figurant dans ce manuel (1). Les utilisateurs mal informés risquent, par des manipulations inappropriées, de se blesser ou de blesser leur entourage.
- Il est conseillé de ne prêter cet appareil qu'aux personnes ayant déjà une certaine expérience des souffleurs.
- Dans ce cas, leur confier aussi le manuel d'instruction.
- Les utilisateurs qui ne connaissent pas encore le fonctionnement de la machine devront demander à leur vendeur les explications qui leur permettront de se familiariser avec le souffleur.
- Les enfants et les adolescents ne doivent pas être autorisés à utiliser la machine. Au-delà de 16 ans, ils peuvent cependant apprendre à s'en servir, mais uniquement sous le contrôle direct d'une personne qualifiée.
- Soyez toujours très prudent.
- N'utilisez la machine que si vous êtes en bonne condition physique.
- Faites très attention à tout ce que vous faites. N'oubliez pas que vous êtes responsable des autres.
- N'utilisez jamais l'appareil lorsque vous avez bu ou pris des calmants (2).
- N'utilisez pas l'appareil lorsque vous êtes fatigué.
- Conservez soigneusement ce manuel afin de pouvoir vous y référer ultérieurement.



Equipements de protection

- Portez des vêtements fonctionnels, c'est-à-dire des vêtements légers, ne provoquant aucune gêne. Evitez les bijoux, les vêtements ou les cheveux longs, qui pourraient être happés par l'entrée d'air.
- Pour éviter de vous blesser et vous protéger contre tous les accidents éventuels, il est conseillé d'utiliser les équipements décrits ci-après.



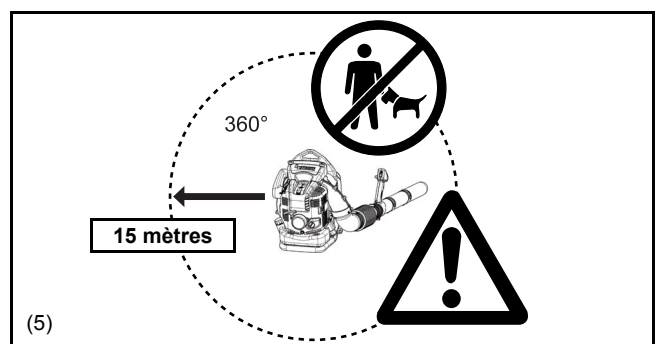
Prêtez une attention particulière aux consignes suivantes

- Les vêtements doivent être résistants et moulants, sans toutefois entraver la liberté de mouvement. Evitez les vestes vagues, les pantalons à jambes larges, les écharpes, les cheveux longs non attachés, ou tout ce qui pourrait être happé par l'arrivée d'air. Portez un bleu de travail ou un pantalon pour protéger vos jambes. Ne portez pas un pantalon court (4).
- Le bruit de la soufflerie risque de poser des problèmes auditifs. Portez des cache-oreilles. Si vous utilisez la machine soit régulièrement, soit pendant de longues périodes, rendez régulièrement visite à un otorhino (3).
- Si possible, portez des gants et évitez les semelles glissantes (4).
- Protégez-vous soigneusement les yeux. Même si l'évacuation ne se fait pas vers vous, il arrive parfois que le fonctionnement de la machine entraîne des ricochets et des rebonds (3).
- Ne faites jamais fonctionner la machine sans porter des lunettes ou des verres de sécurité avec protection supérieure et latérale approprié et conforme à la norme ANSI Z 87.1 (ou à toute norme nationale applicable).



Mise en route de l'appareil

- Assurez-vous qu'il n'y a personne dans un rayon de 15 mètres (5) de l'appareil. Ne l'utiliser jamais dans des zones urbaines.
- Avant de le mettre en route, vérifiez toujours la sécurité de la manette des gaz, qui doit fonctionner facilement et sans à-coup. Vérifiez également le fonctionnement de son système de verrouillage. Assurez-vous que les poignées sont propres et sèches et vérifiez le fonctionnement du commutateur de marche/arrêt.



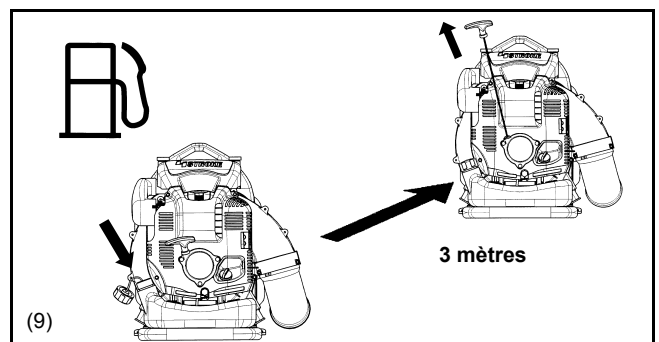
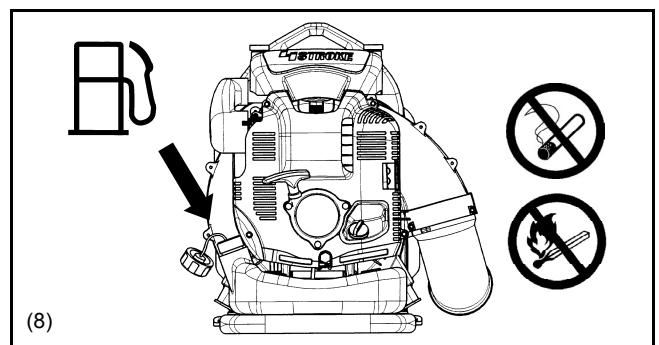
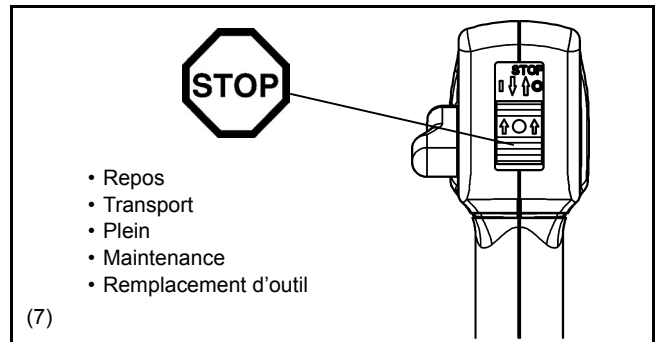
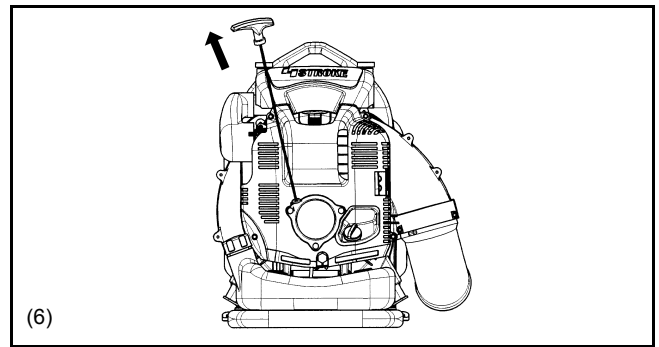
Avant de mettre la machine en marche, assurez-vous que toutes les instructions sont bien respectées.

N'utilisez pas d'autres méthodes de mise en marche de l'appareil (6).

- N'utilisez la machine et les outils fournis que pour les applications spécifiées.
- Ne mettez la machine en marche que lorsque tous les accessoires ont été mis en place. L'appareil ne fonctionne que lorsque tous les accessoires appropriés y sont fixés.
- En cas de problème, arrêtez immédiatement l'appareil.
- Lorsque vous travaillez avec le souffleur, faites attention à mettre tous les doigts autour de la poignée, en serrant la poignée de contrôle entre le pouce et l'index. Gardez la main dans cette position pour avoir le contrôle de l'appareil à tout moment. Vérifiez que la poignée de contrôle est en bonne condition et qu'elle n'est pas souillée par de la moisissure, du goudron, de l'huile ou de la graisse. Tenez-vous toujours dans une position debout sûre et bien équilibrée.
- Pendant le fonctionnement de l'appareil, évitez toute inhalation de gaz d'échappement. N'utilisez jamais l'appareil dans des endroits clos (en raison des risques d'étouffement et d'empoisonnement par les gaz d'échappement). N'oubliez pas que le monoxyde de carbone est un gaz sans odeur. N'utilisez l'appareil que dans un endroit bien aéré.
- Coupez le moteur pendant les pauses ou lorsque vous laissez le souffleur sans surveillance. Mettez-le en lieu sûr pour éviter de blesser l'entourage, de mettre le feu aux matériaux combustibles, ou d'endommager la machine.
- Ne posez jamais la machine chaude sur de l'herbe sèche ou des matériaux combustibles.
- Utilisez toujours les éléments de protection fournis avec la machine.
- Ne faites jamais fonctionner la machine si le silencieux pose problème.
- Coupez l'alimentation du moteur pendant le transport (7).
- Pendant le transport, évitez toute fuite de carburant.
- Pendant le transport, assurez-vous que le réservoir de carburant est totalement vide.

Plein de carburant

- Coupez le moteur (7). Assurez-vous qu'il n'y a aucune flamme à proximité (8). Ne fumez pas.
- Évitez tout contact avec la peau et les produits dérivés du pétrole. N'inhaliez pas les vapeurs d'essence. Portez toujours des gants de protection. Changez et nettoyez régulièrement les gants de protection.
- Veillez à ne pas renverser de carburants ou d'huile, pour éviter de contaminer le sol (protection de l'environnement). En cas de fuite de carburant, même légère, nettoyez immédiatement l'appareil. Faites toujours sécher les chiffons avant de les jeter dans un conteneur approprié et couvert, pour éviter tout risque de combustion spontanée.
- Évitez tout contact du carburant avec les vêtements. Si nécessaire, changez immédiatement de vêtement.
- Vérifiez régulièrement le bon fonctionnement du bouchon du réservoir.
- Assurez-vous que le bouchon du réservoir est bien serré, et ne mettez le moteur en marche qu'à un minimum de 3 m de l'endroit où vous avez fait le plein (9).
- Ne faites jamais le plein de carburant dans des pièces fermées : les vapeurs s'accumulent au niveau du sol (risque d'explosion).
- Ne transportez et ne stockez du carburant que dans des conteneurs appropriés. Veillez à ce que les enfants n'y aient pas accès.
- Ne faites jamais le plein d'un moteur chaud ou en marche.



Fonctionnement

- N'utilisez l'appareil que dans des endroits bien éclairés, où la visibilité est bonne. Pendant les saisons fraîches, évitez les sols glissants ou humides, la glace et la neige. Ayez toujours une position stable.
- N'utilisez jamais le souffleur sur une surface instable ou sur une pente abrupte.
- Pour réduire le risque de blessure, n'orientez pas directement le jet d'air vers les personnes présentes ; la pression élevée de l'air peut causer une blessure aux yeux ou projeter les petits objets à très grande vitesse.
- Ne mettez jamais de corps étrangers dans l'arrivée d'air de la machine ou dans la buse du souffleur, car cela endommagerait le ventilateur et risquerait de blesser les personnes se trouvant à proximité.
- Tenez compte de la direction du vent, de façon à ne pas travailler contre le vent.
- Pour éviter de tomber et de perdre le contrôle de l'appareil, ne reculez jamais pendant son fonctionnement.
- Coupez toujours le moteur avant de nettoyer l'appareil ou de remplacer certaines de ces pièces.

Maintenance

- Respectez l'environnement; vérifiez notamment le bon réglage du carburateur pour polluer aussi peu que possible l'atmosphère.
- Vérifiez régulièrement le souffleur, et assurez-vous que ses vis et écrous sont bien fixés.
- Pendant toutes les opérations de maintenance ou de stockage, évitez soigneusement la présence de flammes, d'étincelles ou autres (11).
- Stockez toujours l'appareil dans une pièce fermée à clé et bien aérée. Avant de le stocker, videz soigneusement son réservoir.

Respectez toujours les instructions de prévention d'accidents des associations professionnelles et des compagnies d'assurances. Ne modifiez pas l'appareil.

N'effectuez aucune opération de maintenance ou de réparation qui ne soit pas prévue par ce manuel. Toutes les autres opérations doivent être effectuées par des représentants autorisés.

N'utilisez que des pièces et des accessoires d'origine, fournis par Makita. L'utilisation d'outils et d'accessoires non agréés augmente les risques d'accident. Makita décline toute responsabilité en cas d'accident ou de dommage provoqué par l'utilisation d'accessoires ou d'outils non agréés.

Premiers secours

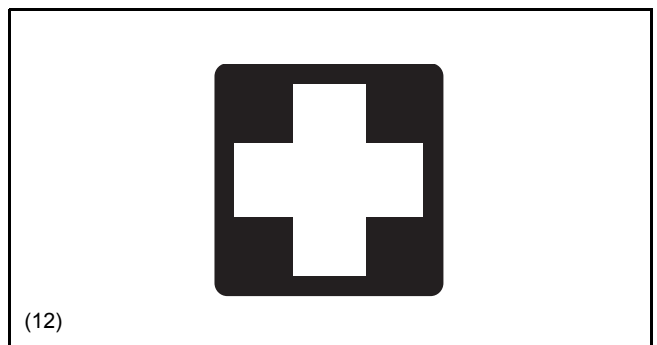
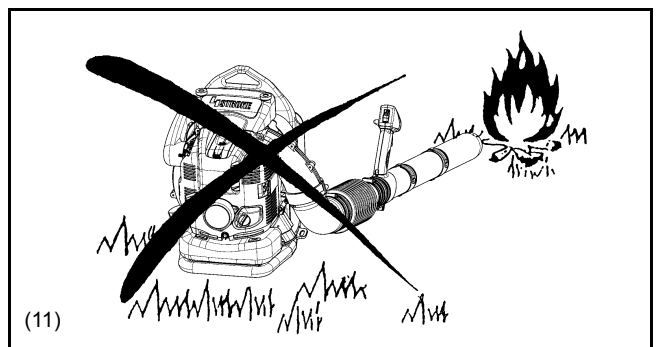
Veillez à avoir toujours à portée de la main une trousse de premiers secours respectant les réglementations en vigueur. Assurez-vous que la trousse est toujours complète.

En cas d'accident, appelez les services de secours et fournissez-leur les informations suivantes:

- lieu de l'accident
- circonstances de l'accident
- nombre de personnes blessées
- type de blessures
- vos coordonnées

Conditionnement

Le souffleur est livré emballé dans un carton. Le carton est un matériau de base qui peut donc être réutilisé ou recyclé.



CARACTÉRISTIQUES TECHNIQUES

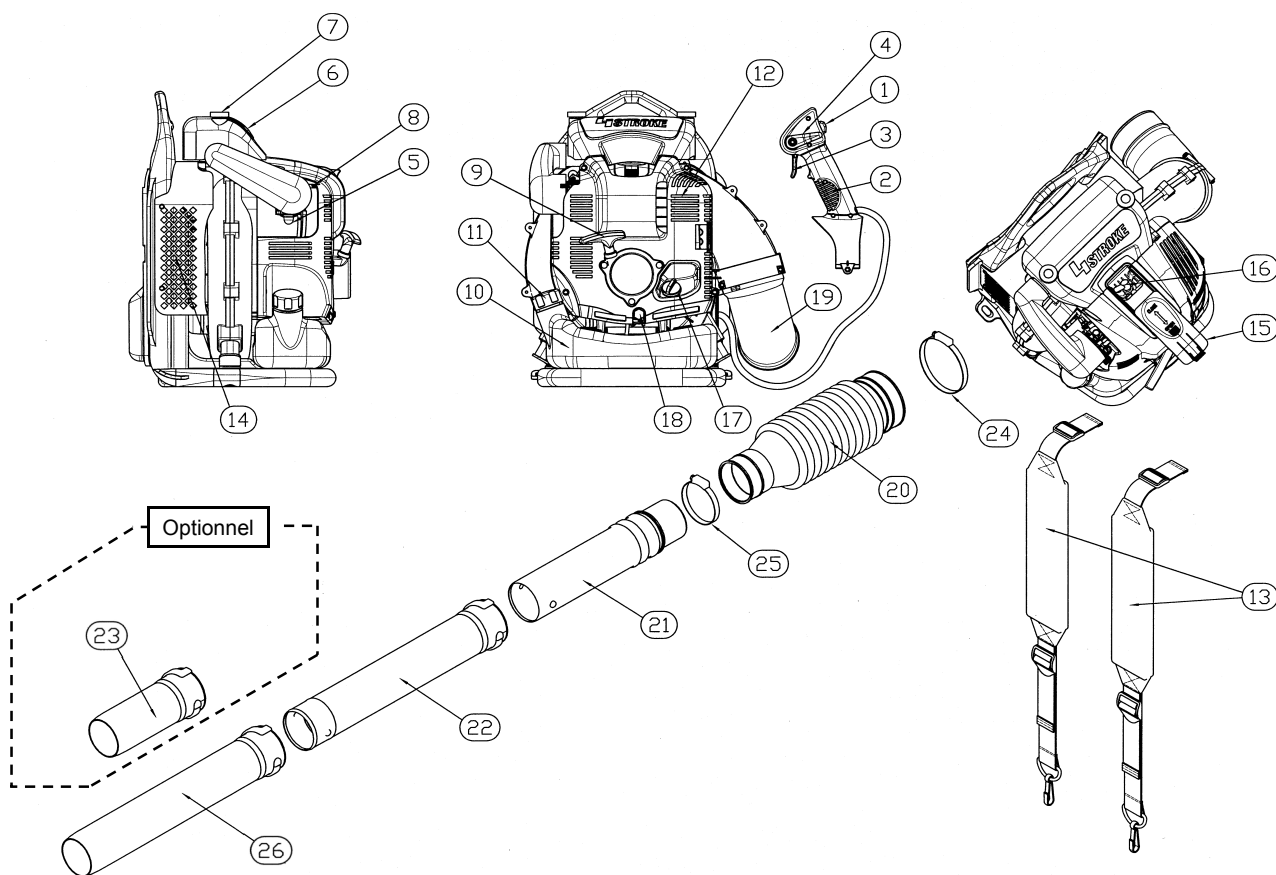
Modèle		BBX7600 BBX7600CA
Poids (sans les tubes)	(kg)	10,2
Dimensions (sans les tubes) (L x l x H totales)	(mm)	350 × 430 × 495
Vitesse maxi du moteur	(min ⁻¹)	7 200
Vitesse au ralenti	(min ⁻¹)	2 800
Cylindrée totale du moteur	(mL)	75,6
Carburant		Essence à automobile
Volume du réservoir à carburant	(L)	1,9
Huile pour moteur		SAE 10W- 30 huile de la classification API, classe SF ou supérieure (moteur à quatre temps pour automobile)
Volume d'huile à moteur	(L)	0,22
Carburateur (Carburateur à diaphragme)		WALBRO WYK
Système d'allumage		Allumage électronique
Bougie		NGK CMR6A
Distance entre électrodes	(mm)	0,7 - 0,8
Niveau de bruit (15 mètres par ANSI B175-2-2000)	(dB(A))	74

Notes :

1. Utiliser l'huile et la bougie désignés par Makita.
2. La spécification peut être soumise à changement sans avis préalable.
(Pour le Canada)

NOTE : Ce système d'allumage par étincelle de véhicule est conforme à la norme NMB-002 du Canada.

LISTE DES PIÈCES



Désignation des pièces	Désignation des pièces	Désignation des pièces	Désignation des pièces
1. Interrupteur d'arrêt	8. Levier d'étrangleur	15. Capot de bougie	22. Tube de souffleur
2. Poignée de contrôle	9. Poignée de démarrage	16. Bougie	23. Gicleur de souffleur L=200
3. Déclencheur	10. Réservoir à carburant	17. Bouchon à huile	24. Collier de serrage \varnothing 100
4. Lever du Régulateur de vitesse	11. Bouchon du réservoir à carburant	18. Boulon de vidange d'huile	25. Collier de serrage \varnothing 76
5. Pompe d'amorçage	12. Silencieux	19. Coude	26. Gicleur de souffleur L=450
6. Cache élément	13. Bandoulière	20. Tube flexible	
7. Boulon du couvercle	14. Filet de la prise d'air	21. Tube rotatif	

INSTRUCTIONS DE MONTAGE

Montage du tube de soufflante

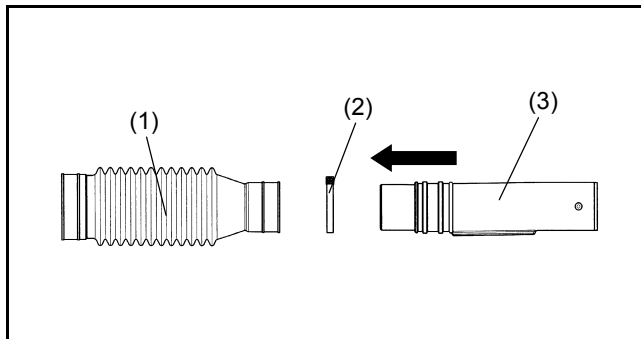
ATTENTION : Avant toute opération sur le souffleur, coupez toujours le moteur et débrancher les connecteurs de bougie.

Portez toujours des gants de protection!

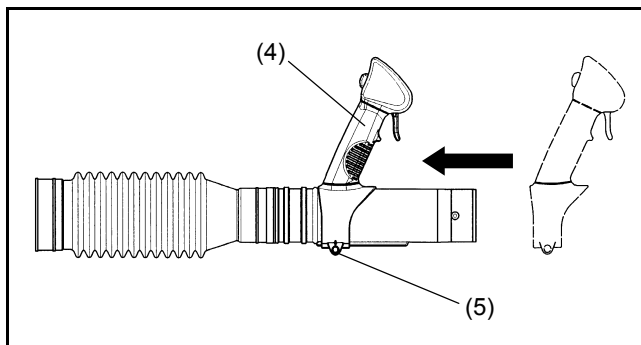
ATTENTION : Ne mettre le souffleur en marche que lorsqu'il est complètement monté.



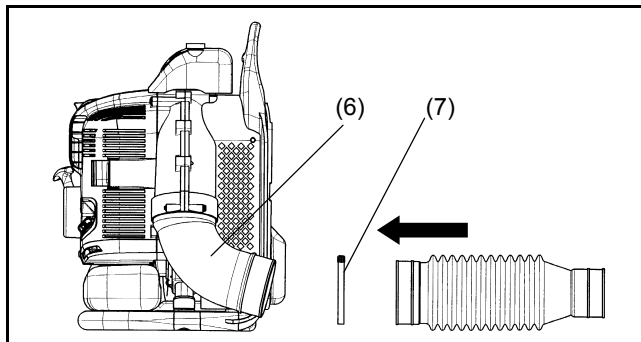
1. Assembler le tuyau droit pour le raccorder avec la cheville (3) au tuyau flexible (1) et serrer le tuyau de soufflerie diamètre $\varnothing 76$ (2).



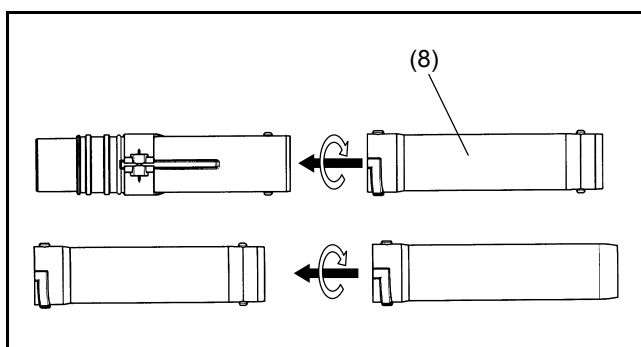
2. Installer la poignée de contrôle (4) sur le tuyau droit avec la cheville et serrer la vis de raccord (5).



3. Assembler le tuyau flexible au coude (6) sur le souffleur et serrer le tuyau de soufflerie diameter $\varnothing 100$ (7).



4. Assembler le tuyau droit (8) au tuyau droit avec la cheville en le faisant tourner dans le sens des aiguilles d'une montre afin qu'il soit bien en place.



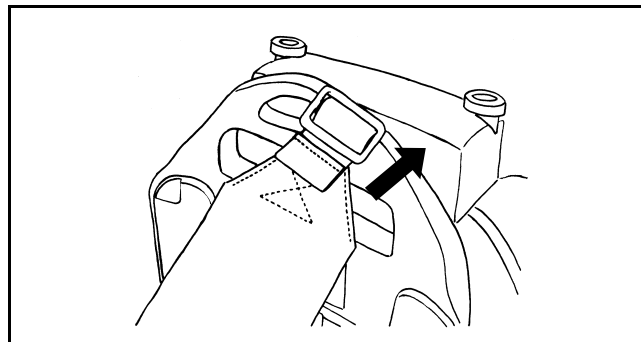
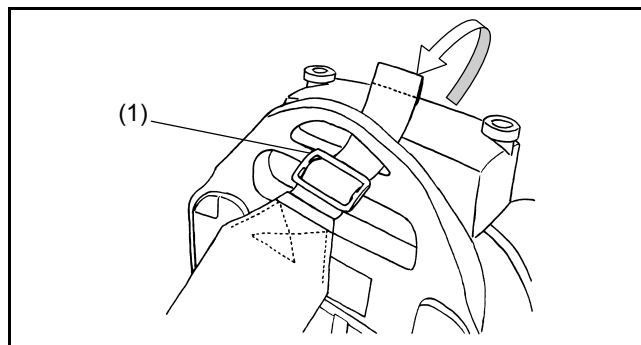
5. Bien s'assurer que toutes les chevilles sont bien serrées.

Fixation de la bandoulière

Procédure de fixation

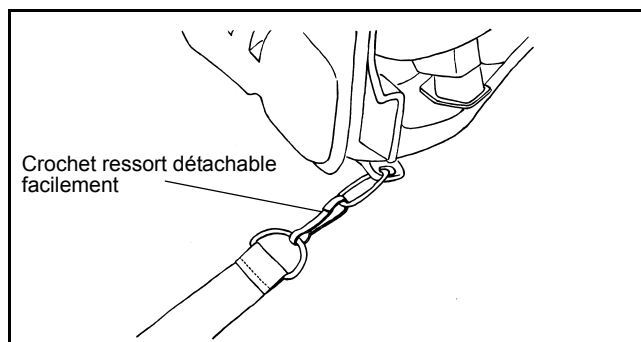
Fixation de la bandoulière au souffleur.

- Passez le bout de la bandoulière dans la fente de suspension en le passant par le bas tel qu'indiqué dans la figure à droite. Le côté de la bandoulière avec le bout plié doit être tourné vers l'extérieur. Amenez, ensuite, le bout de la bandoulière par dessus la fente de suspension et enfitez la longueur restante dans la boucle (1). Serrez la boucle (1) en la poussant dans la fente de suspension dans la direction de la flèche indiquée sur la figure tout en tirant la bandoulière dans le sens contraire.
- Après avoir fixé la bandoulière, attachez la boucle à la fente de suspension. Tirez fortement sur la bandoulière pour vérifier qu'elle est attachée et qu'elle ne se défait pas.



- Attachez le crochet en bas de la bandoulière à l'anneau du cadre.
- Vérifiez que la bandoulière n'est pas tordue.

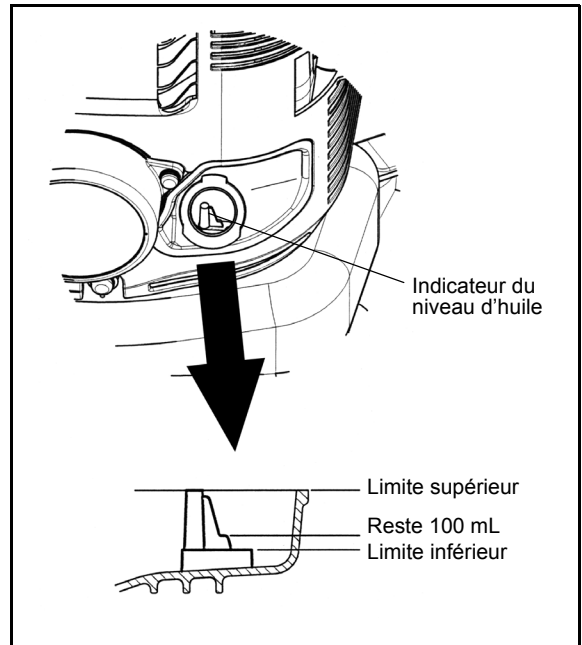
Précaution : Assurez-vous que la bandoulière est attachée avec le bout plié face à l'extérieur. Si le bout plié se trouve vers l'intérieur, la bandoulière risque de se détacher à l'utilisation et faire tomber le souffleur.



AVANT DE DÉMARRER LE MOTEUR

1. Vérification et remplissage de l'huile

- 1) Suivre la procédure ci-dessous lorsque l'huile moteur est froide, par exemple lorsque le souffleur n'a pas été utilisé.
 - Vérification : Placer le souffleur par terre sur une surface plane et retirer le bouchon à huile. Vérifier que le niveau d'huile se trouve entre les deux repères de niveau supérieur et inférieur sur l'indicateur du niveau d'huile. Si le niveau de l'huile est au-dessous du repère inférieur de 100 mL, ajoutez de la nouvelle huile.
 - Ajout d'huile : Placer le souffleur par terre sur une surface plane et retirer le bouchon à huile. Remplir l'huile jusqu'au repère supérieur de l'indicateur de niveau d'huile.
- 2) En moyenne, le niveau d'huile doit être ajusté après chaque 20 heures d'utilisation. Cet intervalle pour le changement d'huile correspond au ravitaillement du souffleur 10 à 15 fois environ.
- 3) Changer l'huile lorsqu'elle est sale ou lorsqu'elle change de couleur de manière significative. (Se reporter à la P. 41 pour la procédure et la fréquence de changement d'huile)



Huile recommandée : Huile originale Makita ou Huile SAE10W-30 de type API et qualité SF ou supérieure (Huile à moteur à 4 temps pour automobiles)

Capacité d'huile : Environ 0,22 L (220 ml)

Précaution

- Si le souffleur n'est pas rangé dans une position debout, l'huile risque de passer de l'indicateur de niveau d'huile dans le moteur et donner une lecture fausse du niveau d'huile lors de la vérification. Ceci peut résulter en sur-ravitaillement d'huile moteur. Ranger toujours le souffleur debout.
- Si le ravitaillement dépasse la limite supérieure de niveau d'huile, il se peut que l'huile devienne sale et qu'une fumée blanche soit dégagée en raison de l'excès d'huile brûlée.

Vérification point #1 : Le bouchon à huile

- Nettoyer la terre et la salissure autour du bouchon avant de le retirer.
- Retirer le bouchon à huile et le mettre sur une surface propre pour éviter qu'il ne soit souillé par du sable, des saletés ou autres corps étrangers. Ceux-ci peuvent adhérer au bouchon et contaminer l'huile moteur. L'huile sale contenant du sable, des saletés ou des corps étrangers peut causer une usure excessive du moteur en raison d'une mauvaise lubrification, et provoquer une panne.

Vérification point #2 : Huile renversée

- De l'huile renversée à la surface du souffleur peut salir ou contaminer l'huile moteur. Par conséquent, nettoyer toute huile renversée avant de démarrer le moteur.

2. Alimentation en carburant

AVERTISSEMENT

- Lors du ravitaillement, s'assurer que les instructions suivantes sont respectées pour éviter l'inflammation ou un incendie :
 - L'alimentation en carburant doit être effectuée à l'endroit où il n'y a pas de feu. Ne jamais apporter du feu (tabac, etc.) près de l'endroit de l'alimentation en carburant.
 - Arrêter le moteur et le laisser refroidir avant d'effectuer le ravitaillement.
 - Ouvrir lentement le bouchon du réservoir à carburant. Le carburant risque de se répandre sous l'effet de la pression interne.
 - Faire attention à ne pas laisser déborder le carburant. Essuyer proprement tout le carburant débordé.
 - Alimenter du carburant à l'endroit bien ventilé.
- Manipuler du carburant avec soin.
 - Le carburant collé sur la peau et pénétré dans les yeux peut causer des allergies ou l'irritation. Lorsque les anomalies physiques quelconques sont constatées, consulter immédiatement un spécialiste médical.
- NE PAS verser d'huile dans le réservoir à carburant.

Durée de stockage du carburant

Le carburant doit être utilisé dans un délai de quatre semaines, même s'il est conservé dans un récipient spécial et tenu à l'ombre dans un emplacement bien aéré.

Autrement, le carburant peut se détériorer en une journée.

Entreposage de l'appareil et du réservoir de ravitaillement

- Garder l'appareil et le réservoir à un endroit sans qu'ils soient exposés aux rayons du soleil.
 - Ne jamais ranger le carburant dans une voiture.
-
-

Carburant

Le moteur est à quatre temps. Utiliser de l'essence ordinaire ou du supercarburant.

Les essentiels pour le carburant

- Ne jamais utiliser de l'essence mélangée de l'huile à moteur.
 - Une huile détériorée causera un démarrage irrégulier.
-
-

Avant d'effectuer le ravitaillement, arrêter le moteur et le laisser refroidir.

Ravitaillement

- Desserrer légèrement le bouchon du réservoir pour libérer la pression du réservoir.
- Déposer le bouchon du réservoir, et ravitailler, l'orifice de ravitaillement orienté en dessus. NE PAS remplir le réservoir à ras bord.
- Après le ravitaillement, serrer fermement le bouchon de réservoir.
- S'il y a aucune fissure sur le couvercle du réservoir, le remplacer.
- Le bouchon du réservoir est une pièce consommable. Le remplacer tous les deux à trois ans.
- NE PAS verser de carburant dans l'orifice de remplissage d'huile.

FONCTIONNEMENT



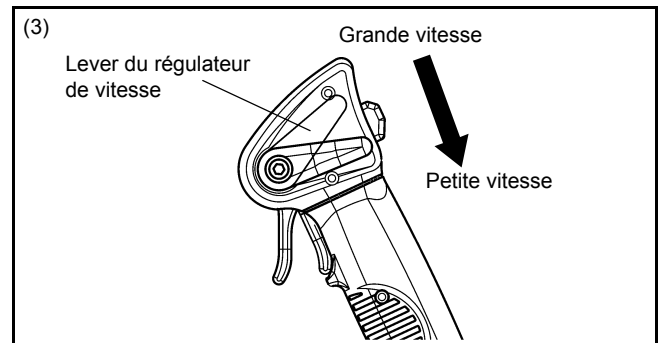
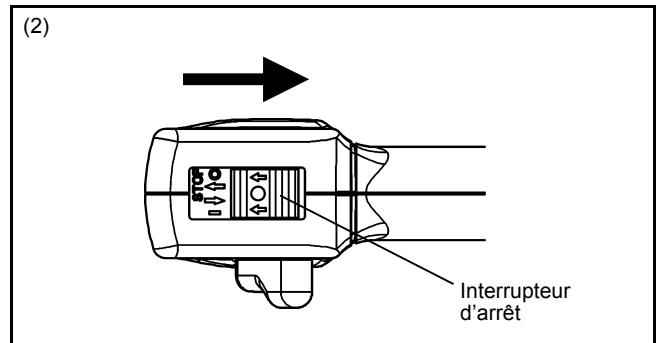
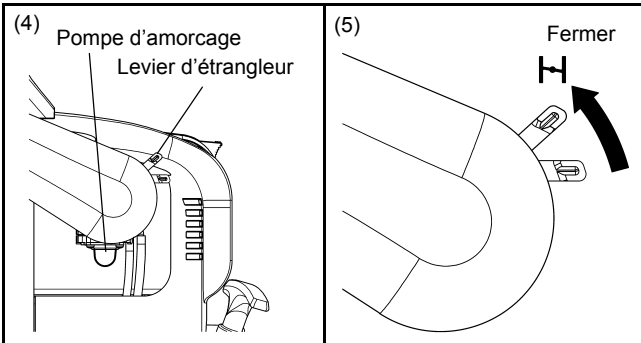
1. Mise en marche

⚠ AVERTISSEMENT

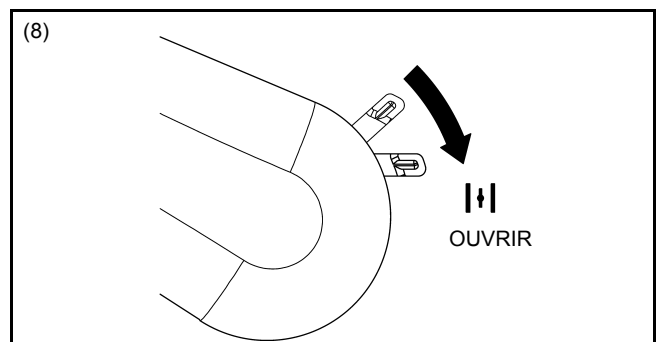
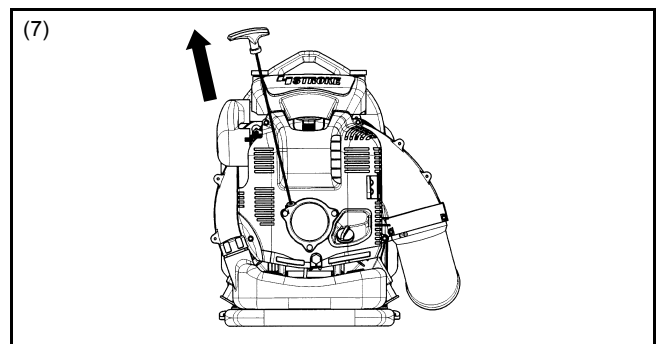
- Ne jamais tenter de démarrer le moteur dans l'endroit où le carburant a été alimenté.
 - Il y a un risque d'inflammation ou d'incendie. Lors du démarrage du moteur, maintenir une distance de 3 m au moins.
- Le gaz d'échappement du moteur est toxique. Ne pas mettre le moteur en marche dans l'endroit faiblement ventilé, tel que dans le tunnel, le bâtiment, etc.
 - La manoeuvre du moteur dans l'endroit faiblement ventilé peut causer l'empoisonnement par le gaz d'échappement.
- En cas de constatation des anomalies du bruit, de l'odeur ou de la vibration après la mise en marche, arrêter immédiatement le moteur et effectuer l'inspection.
 - Si le moteur est mis en marche sans porter attention à ces anomalies, un incident pourra se produire.
- S'assurer que le moteur s'arrête quand l'interrupteur d'arrêt est mis à la position "O".

1) Lorsque le moteur est froid, ou après le ravitaillement

- (1) Positionner cette machine à un lieu plat.
- (2) Mettre l'interrupteur d'arrêt (1) sur la position "MARCHÉ".
- (3) Vérifier que le levier du régulateur de vitesse est placé sur la position petite vitesse.
- (4) Continuer à pousser la pompe d'amorçage jusqu'à ce que le carburant entre dans la pompe d'amorçage.
 - En général, le carburant entre dans le carburateur par 7 à 10 poussées.
 - Si la pompe d'amorçage est poussée excessivement, un excès de l'essence retourne au réservoir à carburant.
- (5) Soulever le levier d'étrangleur jusqu'en position fermée.



- (6) Tenir le cache élément avec la main gauche pour empêcher le moteur de bouger.
- (7) Tirer la poignée de démarrage jusqu'à ce qu'il soit difficile de tirer (point de compression). Puis, laisser revenir la poignée de démarrage, et la tirer fortement.
 - Ne jamais tirer la corde complètement.
 - Une fois que la poignée de démarrage est tirée, ne jamais lâcher prise du câble tout à coup. Saisir la poignée de démarrage jusqu'à ce qu'elle retourne au point original.
- (8) Lorsque le moteur démarre, ouvrir le levier d'étrangleur.
 - Ouvrir complètement le levier d'étrangleur pour vérifier le fonctionnement du moteur.
 - A froid ou lorsque le moteur reste froid, ne pas ouvrir le levier d'étrangleur subitement. Autrement, le moteur s'arrêtera.
- (9) Augmenter la température pendant deux ou trois minutes.
- (10) Le réchauffage du moteur est terminé lorsque le régime du moteur passe rapidement de quelques tours par minute à la vitesse pleins gaz.



NOTE

- Le moteur pourra être endommagé si le levier d'étrangleur est déplacé au-delà de la position "CLOSE".
- Si le moteur s'allume et s'arrête, remettre ce levier à la position "OPEN" et tirer plusieurs fois sur la poignée de démarrage pour faire redémarrer le moteur.
- Si l'opérateur tire sur la poignée de démarrage plusieurs fois avec le levier d'étrangleur en position "CLOSE", il sera difficile de faire démarrer le moteur à cause de l'afflux excessif de carburant.
- En cas d'afflux excessif de carburant, enlever la bougie et tirer rapidement sur la poignée à quelques reprises pour vidanger l'excès de carburant. Sécher l'électrode de la bougie.
- Quand l'étrangleur ne revient pas à la position en contact avec la vis d'ajustage de marche à vide même si la manette des gaz est fixé à la petite vitesse, rectifier l'état d'accrochage de la corde de commande pour assurer le retour correct de l'étrangleur.

2) Quand le moteur est échauffé

- (1) Mettre le moteur sur la terre plate.
- (2) Pousser la pompe d'amorçage à quelques fois.
- (3) S'assurer que le levier d'étrangleur est ouvert.
- (4) Tenir le cache élément avec la main gauche pour empêcher le moteur de bouger.
- (5) Faire sortir lentement la poignée de démarreur jusqu'à la constatation d'une certaine résistance. De cette position, retourner la poignée de démarreur une fois à l'arrière, puis tirer la poignée avec la force.
- (6) S'il est difficile de démarrer le moteur, ouvrir l'étrangleur jusqu'à 1/3 environ.

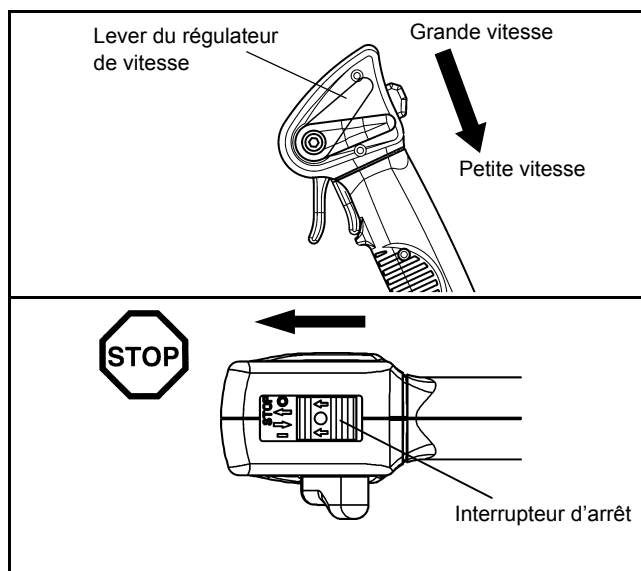
2. Arrêt

1) Lorsque le levier du régulateur de vitesse est placé sur la position petite vitesse.

Relâcher le déclencheur pour réduire la vitesse de moteur, et mettre l'interrupteur d'arrêt à la position "O".

2) Lorsque le levier du régulateur de vitesse est placé sur une position autre que la petite vitesse.

Régler le levier du régulateur de vitesse sur la position petite vitesse, réduire la vitesse du moteur et placer l'interrupteur d'arrêt sur la position "O".



RÉGLAGE DU RALENTI



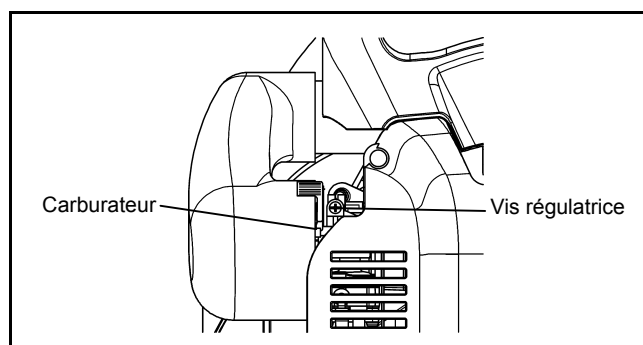
DANGER

Le carburateur est réglé en usine. S'il est nécessaire de le régler de nouveau, s'adresser à l'agent du service après-vente habilité.

Verification de la rotation à petite vitesse

Régler la rotation à petite vitesse sur 2 800 t/min.

- S'il est nécessaire de changer la vitesse de rotation, ajuster la vis régulatrice avec un tournevis cruciforme.
- Tourner la vis régulatrice vers la droite pour que la vitesse du moteur augmente. Tourner la vis régulatrice vers la gauche pour que la vitesse du moteur diminue.



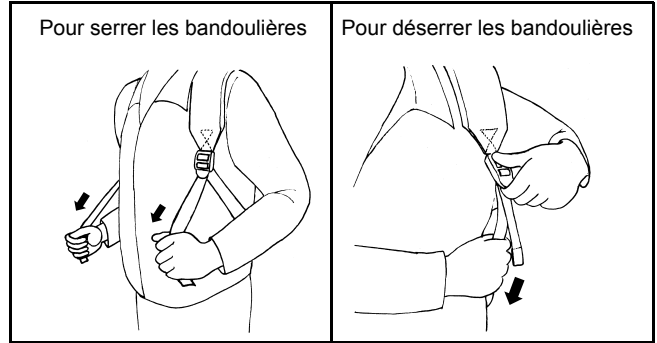
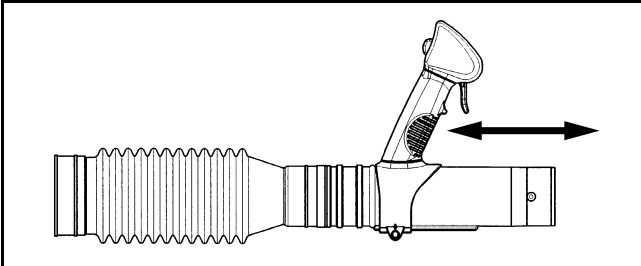
MODE OPERATOIRE

1. Réglage de la bandoulière

Réglez les bandoulières à la longueur adéquate vous permettant de porter le souffleur confortablement pour travailler.
Réglez les bandoulières tel qu'indiqué sur la figure.

2. Réglage du levier du régulateur

Déplacez la poignée de contrôle le long du tube rotatif sur la position la plus confortable.



3. Manoeuvre du souffleur

En utilisant le souffleur, réglez les bars des gaz pour que la force du vent soit appropriée à l'emplacement et aux conditions de travail.

Petite vitesse : Feuilles sèches et gazon

Grande vitesse : Gravier et terre

Le levier du régulateur de vitesse permet à l'opérateur de maintenir la vitesse du moteur constante sans avoir à utiliser le déclencheur.

Soulever le levier du régulateur de vitesse pour augmenter la vitesse du moteur.

Abaisser le levier du régulateur de vitesse pour réduire la vitesse du moteur.

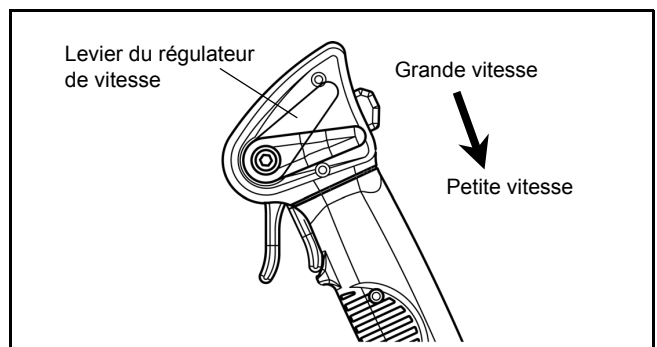
Réglage de la vitesse du moteur pendant l'utilisation du levier du régulateur de vitesse :

Pour augmenter la vitesse du moteur :

- Tirer sur le déclencheur pour augmenter la vitesse du moteur. Le réglage initial de la vitesse du moteur est rétabli lors de la libération du déclencheur.
- L'augmentation de la vitesse du moteur de cette façon augmente aussi le réglage du régulateur de vitesse. Le levier du régulateur de vitesse se soulève à mesure que vous tirez sur le déclencheur, et le nouveau réglage du régulateur de vitesse est maintenu à la vitesse de moteur plus élevée.

Pour réduire la vitesse du moteur :

- Baisser le levier du régulateur de vitesse sur la position petite vitesse.



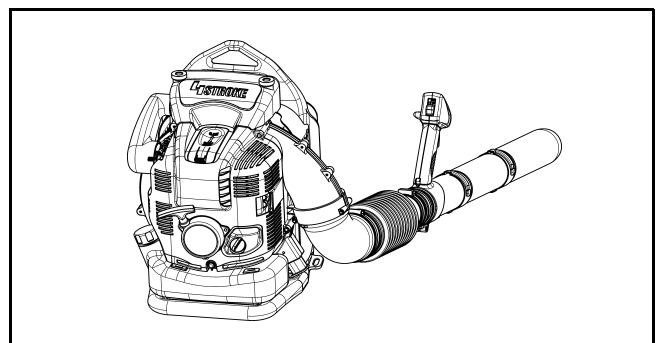
TRANSPORT ET REMISAGE DU SOUFFLEUR

Prière de maintenir le souffleur dans une position droite lors du transport ou du remisage. (Se reporter à la figure droite)

Si le souffleur est transporté ou rangé dans une autre position, l'huile risque de couler à l'intérieur du moteur. Ceci provoque des fuites d'huile, un dégagement de fumée blanche de l'huile brûlée et le filtre à air risque d'être contaminé par l'huile.



- Pour transporter le souffleur, il faut arrêter le moteur.





DANGER

- Avant l'inspection et la maintenance, arrêter le moteur et le laisser refroidir. Enlever la bougie d'allumage et le capot de bougie.
- L'ignorance de cette directive par l'opérateur comporte un risque de brûlure ou d'accident grave dû au démarrage inattendu.
- Après l'inspection et la maintenance, s'assurer que toutes les pièces sont rassemblées. Puis, procéder à la manoeuvre.

1. Remplacement de l'huile à moteur

Une huile à moteur détériorée peut diminuer la durée considérablement. Ne pas manquer de vérifier la période et la quantité de remplacement.

DANGER

- En général, le bloc moteur et l'huile à moteur restent chauds immédiatement après que le moteur s'arrête. Lors de remplacement d'huile, confirmer que le bloc moteur et l'huile à moteur sont refroidis complètement. Autrement, il y a un risque de brûlure. Attendre suffisamment après l'arrêt du moteur, de sorte que l'huile à moteur retourne dans le réservoir d'huile, assurant une lecture exacte de l'indicateur de niveau d'huile.
- Si l'huile est versée au-dessus de la limite, elle peut se contaminer ou prendre feu avec de la fumée blanche.

Intervalle de remplacement : Après les 20 premières heures de marche, et ensuite toutes les 50 heures de marche

Huile recommandée : SAE10W-30 de la classification API, Classe SF ou supérieure (moteur à quatre temps pour automobile)

Procédure de changement de l'huile

Prière de suivre les étapes suivantes pour changer l'huile :

- (1) Placer le souffleur par terre sur une surface plane.
- (2) Placer un récipient sous la fente de vidange (1) pour récupérer l'huile écoulee. Le récipient doit avoir une capacité d'au moins 220 ml pour pouvoir récupérer toute l'huile.
- (3) Desserrer le Boulon de vidange d'huile (2) pour drainer l'huile. Faire très attention à ne pas faire couler l'huile sur le réservoir d'essence ou sur d'autres pièces.

Précaution : Faire attention à ne pas déserrer le joint (rondelle aluminium) (3). Placer le Boulon de vidange d'huile (2) dans un endroit où il ne risque pas d'être sali.

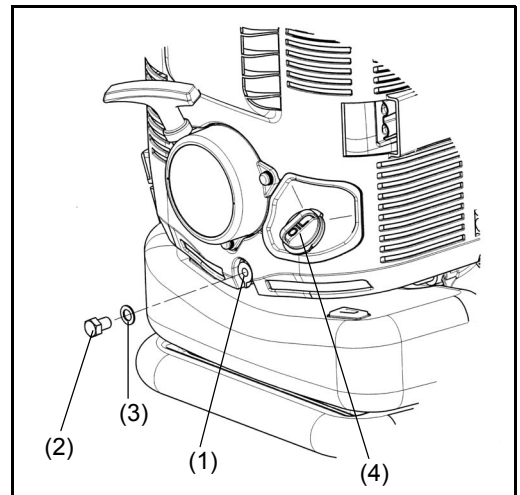
- (4) Retirer le bouchon d'huile (4). (Le retrait du bouchon d'huile (4) permet de vidanger facilement l'huile.)

Précaution : Placer le bouchon d'huile (4) dans un endroit où il ne risque pas d'être sali.

- (5) Lorsque le niveau d'huile évacuée diminue, inclinez le souffleur sur le côté pour drainer complètement l'huile.
- (6) Lorsque toute l'huile est évacuée, serrer fermement le Boulon de vidange d'huile (2). Si le Boulon de vidange d'huile n'est pas bien fermé, il risque d'y avoir une fuite d'huile.

Précaution : Ne pas oublier de remettre le joint (rondelle aluminium) (3) en place en fermant le Boulon de vidange d'huile.

- (7) L'ajout d'huile pour la procédure de changement de l'huile s'effectue de la même manière que celle pour l'ajout d'huile lorsque le niveau est insuffisant. Ajouter toujours l'huile par l'ouverture sous le bouchon d'huile. (Niveau d'huile spécifié : Environ 220 ml)
- (8) A la fin du ravitaillement en huile, serrer fermement le bouchon d'huile (4) pour éviter toute fuite.



L'essentiel lors de remplacement de l'huile à moteur

- Ne jamais déposer de l'huile du moteur vidé dans des ordures, dans la terre, ou dans un égout. Le dépôt de l'huile usée est réglementé par la loi. Lors du rejet, il faut observer les lois et règlements concernés.
- L'huile se détériore même si elle est stockée intacte. Faire le contrôle et le remplacement à des intervalles réguliers (renouveler l'huile tous les six mois.)

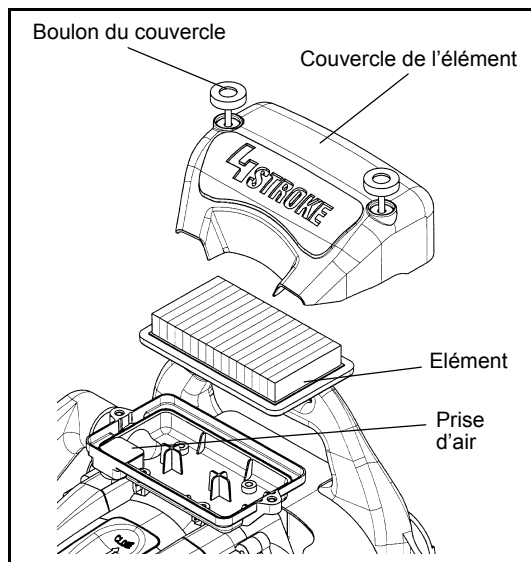
2. Nettoyage du filtre à air



DANGER : DEFENSE DE FAIRE DU FEU

Intervalle de nettoyage et de contrôle : Quotidien (toutes les 10 heures de marche)

- (1) Desserrer les boulons du couvercle.
- (2) Retirer le couvercle du filtre à air.
- (3) Retirer l'élément et enlever toutes les saletés sur l'élément avec la broche.
Remarque : L'élément est sec et ne doit jamais être mouillé. Ne le nettoyer jamais à l'eau.
- (4) Remplacer l'élément par un nouveau s'il est endommagé ou très sale.
- (5) S'il y a de l'huile renversée sur la prise d'air, la nettoyer avec un chiffon.
- (6) Installer l'élément dans le boîtier du filtre.
- (7) Fixer le couvercle du filtre à air et serrer le boulon du couvercle.



DANGER

- Nettoyer l'élément à plusieurs reprises par jour, s'il y a de la poussière excessive y adhérente.
- Si le fonctionnement continue sans enlever l'huile complètement de l'élément, l'huile restant dans l'air peut tomber dehors, ce qui peut provoquer une contamination d'huile.

3. Vérification de bougie d'allumage



ATTENTION

- Lors du démontage de la bougie d'allumage, nettoyer préalablement la bougie et la culasse pour éviter la pénétration de boue ou de sable dans le cylindre.
- Attendre le refroidissement complet du moteur avant de démonter la bougie d'allumage sous peine d'endommager le pas de vis de la culasse.
- Fixer correctement la bougie d'allumage dans le pas de vis. Ne pas l'engager de travers sous peine d'endommager le pas de vis de la culasse.

(1) Ouverture/fermeture du capot de bougie

Pour ouvrir le capot de la bougie, appuyer sur la jointure de sa projection et glisser dans la direction de l'indication "OPEN" tel qu'indiqué dans la figure de droite.

Pour fermer le capot, glisser le capot vers la direction "CLOSE" jusqu'à ce que le clic sous le capot de bougie surmonte le capot du moteur. Finalement, pousser la projection.

(2) Démontage de bougie d'allumage

Utiliser la clé à douille fournie avec la machine pour monter ou démonter la bougie d'allumage.

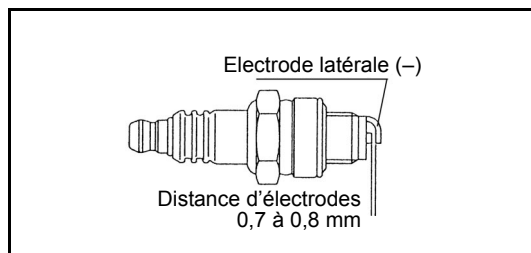
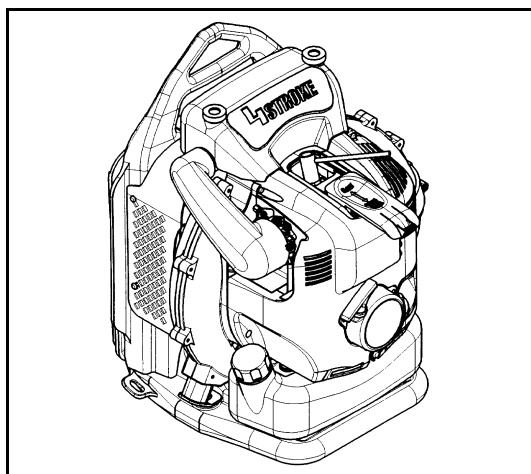
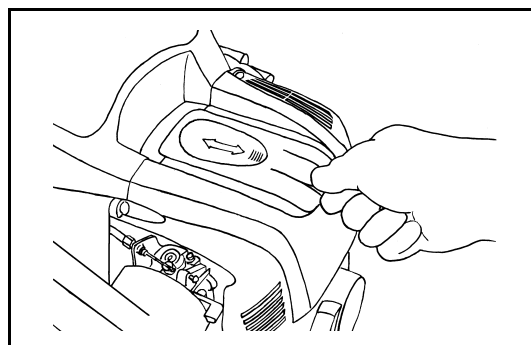
(3) Vérification de bougie d'allumage

La distance entre les deux électrodes de la bougie (voir la figure gauche) est de 0,7 à 0,8 mm. Régler pour la distance correcte quand elle est trop large ou trop étroite.

Nettoyer complètement ou remplacer la bougie si le carbone s'accumule ou la bougie est contaminée.

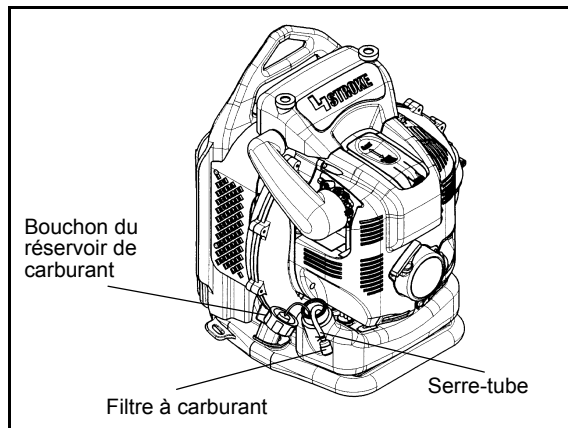
(4) Remplacement de bougie d'allumage

Pour le remplacement, utiliser NGK-CMR6A.



4. Nettoyage du filtre à carburant

- Le filtre à carburant colmaté peut causer un démarrage difficile ou une défaillance de la montée de vitesse du moteur.
- Vérifier régulièrement le filtre à carburant comme ce qui suit :
 - (1) Démontez le bouchon de vidange du réservoir de carburant, évacuer le carburant pour vider le réservoir. Vérifier l'intérieur du réservoir pour tout corps étranger. Eventuellement, nettoyer les corps étrangers.
 - (2) Faire sortir le filtre à carburant avec le fil de fer à travers l'orifice de remplissage d'huile.
 - (3) Si la surface du filtre à carburant est contaminée, nettoyer la surface à l'aide de l'essence. L'essence utilisée pour le nettoyage doit être jetée en accord avec la méthode spécifiée par les autorités locales. Le filtre doit être remplacé lorsqu'il est excessivement contaminé.
 - (4) Remettre le filtre à carburant dans le réservoir de carburant et serrer fermement le bouchon du réservoir de carburant. Pour le remplacement, prendre contact avec votre succursale ou l'agence autorisée.

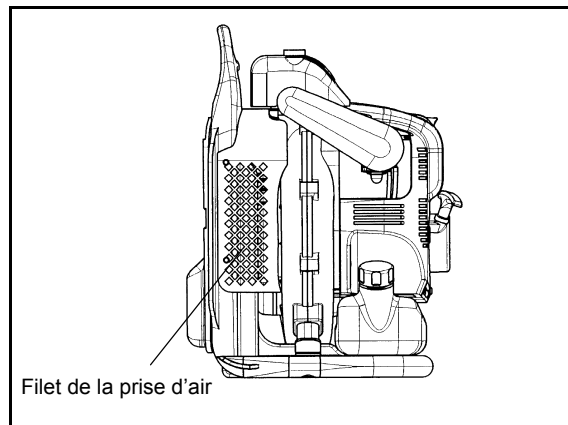


5. Contrôle des boulons, écrous et vis

- Resserer les boulons, écrous, etc.
- Vérifier la fuite de carburant et d'huile.
- Renouveler les pièces endommagées. La poussière et de la poussière et les impuretés adhérentes aux ailettes peuvent causer un grippage.

6. Nettoyage des pièces

- Tenir le moteur propre en l'essuyant avec un chiffon ou torchon.
- Tenir les ailettes de cylindre propres de Toutes sortes de poussière et impureté. L'adhérence de la poussière et l'impureté aux ailettes causera un grippage.
- L'air soufflé est pris du filet de la prise d'air. Lorsque la circulation d'air diminue pendant l'utilisation, arrêter le moteur et vérifier si le filet de la prise d'air n'est pas bloqué par quelque obstacle.
- Un tel blocage peut causer une surchauffe et endommager le moteur.



AVERTISSEMENT :



Ne jamais utiliser le souffleur sans le filet. Avant chaque utilisation, vérifier que le filet est bien en place et qu'il n'est pas endommagé.

7. Remplacement des joints et garnitures

Remplacer les joints et garnitures en cas de démontage du moteur.

Toutes maintenances ou réglage non décrits dans ces instructions doivent être réalisés par un agent du S.A.V. habilité.

REMISAGE

AVERTISSEMENT

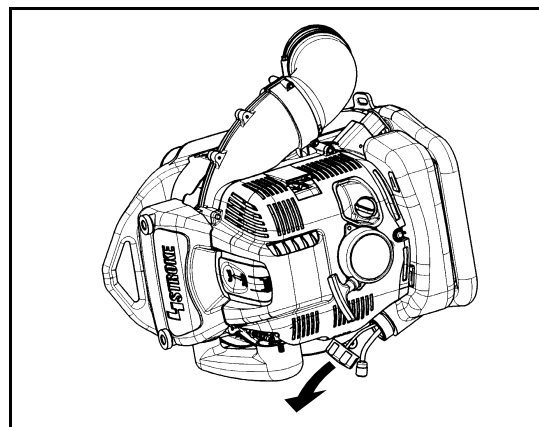
- Avant de vidanger le carburant, arrêter le moteur et le laisser refroidir.
- L'ignorance de cette directive comporte un risque de brûlures ou d'incendie.

DANGER

- Avant de remiser la machine pour une longue période, vidanger complètement le réservoir à carburant et le carburateur, et ranger la machine dans un emplacement sec et propre.

Décharger tout le carburant à partir du réservoir du carburant et du carburateur d'après le procédé suivant :

- (1) Enlever le bouchon du réservoir à carburant, et décharger le carburant complètement.
Retirer tout corps étranger resté dans le réservoir à carburant.
- (2) Tirer le filtre de carburant de l'orifice de ravitaillement avec un fil métallique.
- (3) Tirer la pompe d'amorçage jusqu'à ce que le carburant soit déchargé d'ici, et décharger le carburant venant du réservoir de carburant.
- (4) Remettre le filtre dans le réservoir de carburant, et serrer fermement le bouchon du réservoir de carburant.
- (5) Puis, continuer à faire fonctionner le moteur jusqu'à ce qu'il s'arrête.
- (6) Enlever la bougie d'allumage, faire tomber plusieurs gouttes de l'huile pour moteur au travers du trou de la bougie d'allumage.
- (7) Tirer doucement la poignée de démarrage de façon que l'huile pour moteur s'étende totalement sur le moteur, et monter la bougie d'allumage.
- (8) Ranger la machine avec sa poignée sur le dessus.
- (9) Garder le carburant déchargé dans un récipient spécial à l'ombre bien aérée.



Localisation des défauts

Défaut	système	Observation	Cause
Pas de démarrage du moteur ou démarrage difficile	Système d'allumage	Étincelle d'allumage présente	Défaut dans l'alimentation en carburant ou dans le système de compression. Défaut mécanique
		Pas d'étincelle d'allumage	Interrupteur d'arrêt actionné, défaut du fil ou court-circuit, bougie d'allumage ou connecteur défectueux, module d'allumage défectueux
	Alimentation en carburant	Réservoir de carburant rempli	Position incorrecte de l'étrangleur, carburateur défectueux, tête d'aspiration sale, tuyau d'alimentation en carburant plié ou bloqué
	Compression	Pas de compression au tirage	Joint d'étanchéité du fond du cylindre défectueux, soudures du carter endommagées, piston ou segments défectueux ou fuite par la fixation de la bougie d'allumage
Problèmes en démarrage à chaud	Défaut mécanique	Câble non enclenché	Ressort du câble cassé, pièces cassées à l'intérieur du moteur
		Réservoir rempli Étincelle d'allumage présente	Carburateur sale, le nettoyer
Le moteur démarre mais est immédiatement noyé	Alimentation en carburant	Réservoir rempli	Réservoir rempli Réglage de marche à vide incorrect, tête d'aspiration ou carburateur sale Orifice du réservoir de carburant bouché. Tuyau d'alimentation en carburant plié, câble ou interrupteur STOP défectueux
Performances insuffisantes	Plusieurs circuits sont peut-être affectés Simultanément.	Régime de marche à vide médiocre	Filtre à air sale, carburateur sale, conduit d'échappement du cylindre bouché

Article	Durée de marche		Durée de marche						Page correspondant
			Avant marche	Après lubrification	Quotidien (10h)	30h	50h	200h	
Huile à moteur	Vérifier/Nettoyer	○							36
	Remplacer					○*1			41
Pièces à serrer (boulons, écrous)	Vérifier	○							43
Réservoir à carburant	Nettoyer/Vérifier	○							–
	Evacuer le carburant							○*3	43
Levier d'étranglement	Vérifier les fonctions		○						–
Interrupteur d'arrêt	Vérifier les fonctions		○						38
Rotation à petite vitesse	Vérifier/Ajuster			○					39
Filtre à air	Nettoyer			○					42
Bougie d'allumage	Vérifier			○					42
Conduite d'air de refroidissement	Nettoyer/Vérifier			○					43
Tuyau à carburant	Vérifier			○					43
	Remplacer						⊙*2		–
Filtre à carburant	Nettoyer/ Remplacer					○			43
Espace entre soupape d'entrée d'air et soupape de déchargement d'air	Ajuster						⊙*2		–
Tube d'huile	Vérifier						⊙*2		–
Révision générale du moteur							⊙*2		–
Carburateur	Evacuer le carburant							○*3	43

*1 Faire le remplacement premier après 20h de marche.

*2 Pour le contrôle de 200 heures de marche, s'adresser à l'agent du service après-vente habilité ou à un atelier des réparations.

*3 Après vidage du réservoir à carburant, continuer à faire fonctionner le moteur et évacuer le carburant dans le carburateur.

DEPANNAGE

Avant de faire une demande de réparations, vérifier un inconvéniént par soi-même. S'il y a aucune anomalie, régler votre machine suivant la description de ce manuel. Ne jamais manipuler ou déposer aucune partie contrairement à la description. Pour les réparations, s'adresser à l'agent du service après-vente habilité.

Etat d'anomalie	Cause probable (fonctionnement irrégulier)	Remède
Le moteur ne démarre pas	Panne de la pompe d'amorçage	Pousser 7 à 10 fois
	Petite vitesse de tirage du câble de démarreur	Tirer fortement
	Manque de carburant	Remplir
	Colmatage du filtre à carburant	Nettoyer
	Tuyau à carburant plié	Redresser le tuyau à carburant
	Carburant détérioré	Un carburant détérioré laisse le démarrage plus difficile. Renouveler. (Remplacement recommandé : 1 mois)
	Aspiration excessive du carburant	Ajuster la rotation du levier d'étranglement de vitesse moyenne à la haute, et tirer la poignée de démarreur jusqu'à ce que le moteur démarre. Si le moteur ne démarre pas, déposer la bougie d'allumage, dessécher l'électrode, et les remonter comme ils étaient initialement. Puis, démarrer suivant les instructions.
	Bouchon déposée	Reposer fermement
	Bougie d'allumage tachée	Nettoyer
	Espace anormal de la bougie d'allumage	Ajuster l'espace
	D'après les types d'anomalie de la bougie d'allumage	Remplacer
	Carburateur anormal	Faire une demande de contrôle et de maintenance
	Système de commande anormal	Faire une demande de contrôle et de maintenance
Système de commande anormal	Faire une demande de contrôle et de maintenance	
Le moteur s'arrête toute de suite. Le moteur ne s'augmente pas	Réchauffage insuffisant	Faire le réchauffage
	Le levier de réglage est mis à "CLOSE" même si le moteur est réchauffé.	Mettre à "OPEN"
	Colmatage du filtre à carburant	Nettoyer
	Filtre à air sale ou colmate	Nettoyer
	Carburateur anormal	Faire une demande de contrôle et de maintenance
	Système de commande anormal	Faire une demande de contrôle et de maintenance
	Fil d'étranglement déposé	Reposer fermement
Le moteur ne s'arrête pas ↓ Faire marcher le moteur au ralenti, et mettre le levier de réglage à "CLOSE"	Connecteur déposé	Reposer fermement
	Système électrique anormal	Faire une commande de contrôle et de maintenance

Lorsque le moteur ne démarre pas après le réchauffage :

S'il n'y a pas aucune anomalie pour les points de vérification, ouvrir le levier d'étranglement par un tiers, et démarrer le moteur.

GARANTIE LIMITÉE D'UN AN Makita

Politique de garantie

Chaque outil Makita est inspecté rigoureusement et testé avant sa sortie d'usine. Nous garantissons qu'il sera exempt de défaut de fabrication et de vice de matériau pour une période d'UN AN à partir de la date de son achat initial. Si un problème quelconque devait survenir au cours de cette période d'un an, veuillez retourner l'outil COMPLET, port payé, à une usine ou à un centre de service après-vente Makita. Makita réparera l'outil gratuitement (ou le remplacera, à sa discrétion) si un défaut de fabrication ou un vice de matériau est découvert lors de l'inspection.

Cette garantie ne s'applique pas dans les cas où :

- des réparations ont été effectuées ou tentées par un tiers ;
- des réparations s'imposent suite à une usure normale ;
- l'outil a été malmené, mal utilisé ou mal entretenu ;
- l'outil a subi des modifications.

Makita DÉCLINE TOUTE RESPONSABILITÉ POUR TOUT DOMMAGE ACCESSOIRE OU INDIRECT LIÉ À LA VENTE OU À L'UTILISATION DU PRODUIT. CET AVIS DE NON-RESPONSABILITÉ S'APPLIQUE À LA FOIS PENDANT ET APRÈS LA PÉRIODE COUVERTE PAR CETTE GARANTIE.

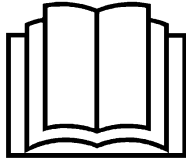
Makita DÉCLINE TOUTE RESPONSABILITÉ QUANT À TOUTE GARANTIE TACITE, INCLUANT LES GARANTIES TACITES DE "QUALITÉ MARCHANDE" ET "ADÉQUATION À UN USAGE PARTICULIER" APRÈS LA PÉRIODE D'UN AN COUVERTE PAR CETTE GARANTIE.

Cette garantie vous donne des droits spécifiques reconnus par la loi, et possiblement d'autres droits, qui varient d'un État à l'autre. Certains États ne permettant pas l'exclusion ou la limitation des dommages accessoires ou indirects, il se peut que la limitation ou exclusion ci-dessus ne s'applique pas à vous. Certains États ne permettant pas la limitation de la durée d'application d'une garantie tacite, il se peut que la limitation ci-dessus ne s'applique pas à vous.

Muchas gracias por comprar el soplador Makita. Nos complace recomendarle el uso del soplador Makita que es el resultado de un extenso programa de investigación desarrollado tras años de estudio y experiencia.

Los sopladores BBX7600 / BBX7600CA combinan las ventajas del diseño más avanzado con un diseño ergonómico. Son muy ligeros, manejables, compactos y suponen un material profesional para una amplia variedad de aplicaciones.

Por favor lea el folleto que hace referencia con detalle a los diversos puntos que demuestran su excelente funcionamiento. Esto le ayudara a obtener el mejor resultado posible de su soplador Makita.



Contenidos

	Página
Símbolos	47
Instrucciones de seguridad	48-50
Datos técnicos	51
Denominación de partes	52
Instrucciones de montaje	53-54
Antes de poner en marcha el motor	55-57
Operación	57-58
Ajuste del ralenti	58
Procedimiento de operación	59
Inspección y mantenimiento	60-62
Almacenamiento	62-63
Investigación de averías	64

SÍMBOLOS

Es de gran importancia comprender los símbolos siguientes es para la lectura de este manual de instrucciones.

	ADVERTENCIA/PELIGRO		Combustible (Gasolina)
	Lea, comprenda y siga el Manual de Instrucciones		Encendido manual del motor
	Prohibido:		Paro de Emergencia
	No Fumar		Primeros Auxilios
	No acercar llamas		Reciclaje
	Deben utilizarse guantes protectores		Reciclaje
	Mantener el Area de Operación libre de personas y animales		ON/ENCENDIDO
	Llevar protección de ojos y oídos		OFF/APAGADO
	Muy caliente - Quemaduras de las manos o los dedos		Mutilación del dedo o del brazo, Ábame de la rueda móvil

INSTRUCCIONES DE SEGURIDAD

Instrucciones Generales

- Para asegurar un funcionamiento correcto y seguro, el usuario debe leer, comprender y seguir este manual de instrucciones para familiarizarse con el soplador (1). Los usuarios que no se informen suficientemente, ocasionarán un peligro a sí mismos y a otros.
- Se recomienda prestar el soplador únicamente a gente que demuestre experiencia en el uso de sopladores.
- Siempre debe entregar el manual de instrucciones.
- Los que utilizan la máquina por vez primera deben preguntar al vendedor las instrucciones básicas para familiarizarse con el manejo de un soplador motorizado.
- No se debe permitir el uso del soplador a niños y personas menores de 18 años. Las personas mayores de 16 años pueden, sin embargo, utilizar la máquina para aprendizaje únicamente, bajo supervisión directa de un monitor cualificado.
- Utilizar la máquina con el máximo cuidado y atención.
- Manejar el soplador sólo si se encuentra en buena condición física.
- Realizar el trabajo con calma y cuidadosamente. El usuario debe aceptar su responsabilidad con otras personas.
- Nunca utilizar el soplador después del consumo de alcohol o drogas (2).
- No utilice la unidad cuando esté cansado.
- Conserve estas instrucciones para referencia futura.

Equipo Personal de Protección

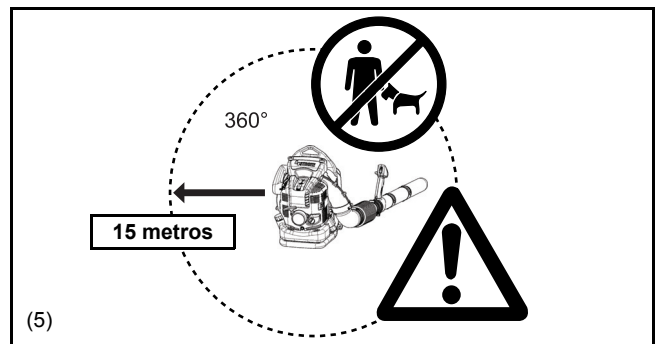
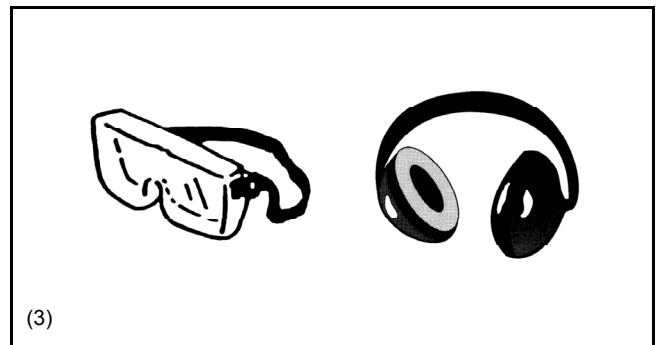
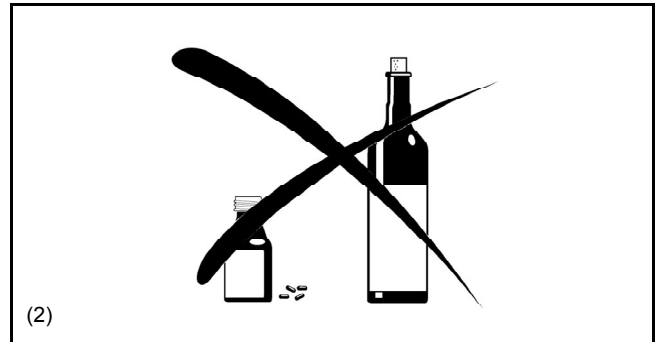
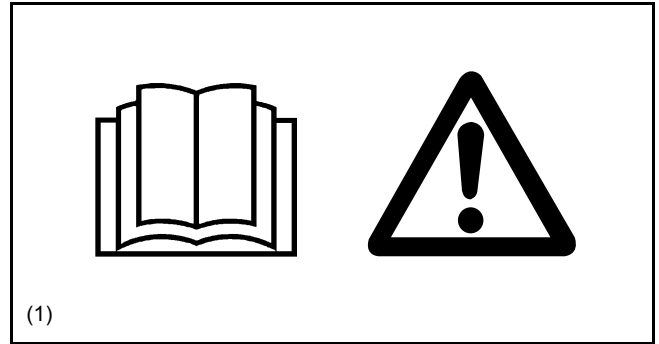
- La ropa utilizada debe ser funcional y adecuada. Por ejemplo, debe quedar ajustada, sin causar estorbo. No llevar joyas o ropa que puede quedar atrapada con matorrales o arbustos, o con la máquina.
- Para evitar heridas en cabeza, ojos, manos, o pies, así como para proteger su oído, el siguiente equipo y ropa de protección debe usarse durante el uso del soplador.

Preste una atención especial a las siguientes medidas

- La ropa debe ser resistente y cómoda, pero debe permitir una completa libertad de movimientos. Deben evitarse las chaquetas holgadas, pantalones caídos o anchos en exceso, bufandas, pelo largo suelto o cualquier elemento que pueda introducirse en la entrada de aire. Utilice monos de trabajo y pantalones largos para proteger sus piernas. No llevar pantalones cortos (4).
- El ruido del soplador puede dañar su oído. Lleve protectores (tapones de oídos, auriculares etc). Los usuarios regulares deben comprobar el estado de su oído periódicamente (3).
- Se recomienda el uso de guantes cuando trabaje con el soplador. Lleve calzado resistente con suela antideslizante (4).
- Una protección adecuada de la vista es obligatoria. Aunque la descarga no se dirija directamente al usuario, los rechazos y rebotes pueden ocurrir durante el manejo del soplador (3).
- Nunca utilizar el soplador sin llevar gafas o protectores adecuados para la vista con protección frontal y lateral que satisfagan la normativa ANSI Z 87.1 (o la aplicable en su País).

ENCENDIDO DEL SOPLADOR

- Asegurar que no hay niños u otras personas en un radio de 15 metros (5) también preste atención a cualquier animal en la proximidad del área de trabajo. No utilice el soplador puncie en áreas urbanas.
- Antes del funcionamiento, comprobar siempre que el soplador puede trabajar de forma segura. Compruebe la seguridad de la palanca de control. Debe comprobarse que la palanca de control se acciona suavemente y con facilidad. Comprobar que funciona el cierre de seguridad de esta palanca. Compruebe que el manillar esté limpio y seco y que el interruptor I-O funciona bien. Mantenga el manillar limpio de aceite y combustible.



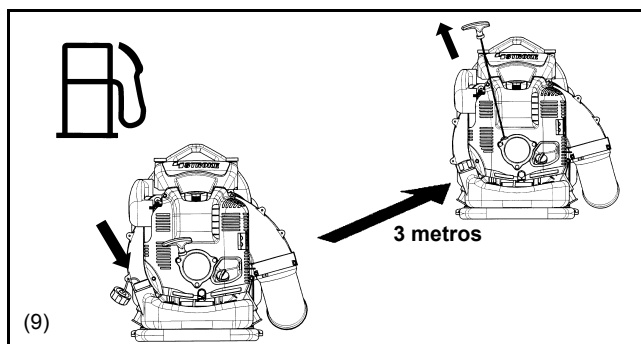
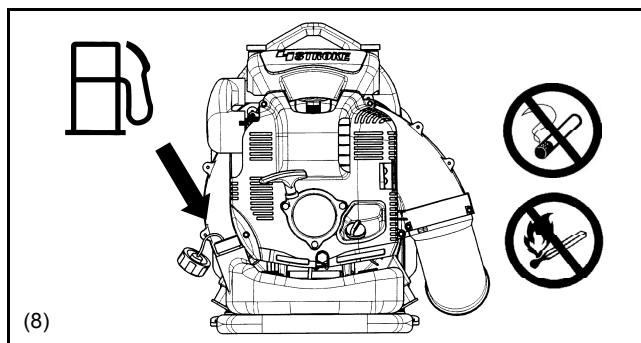
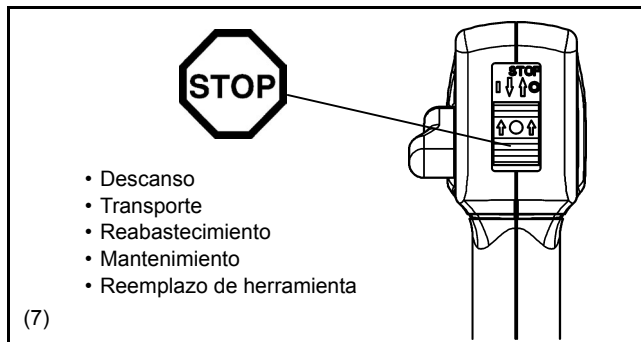
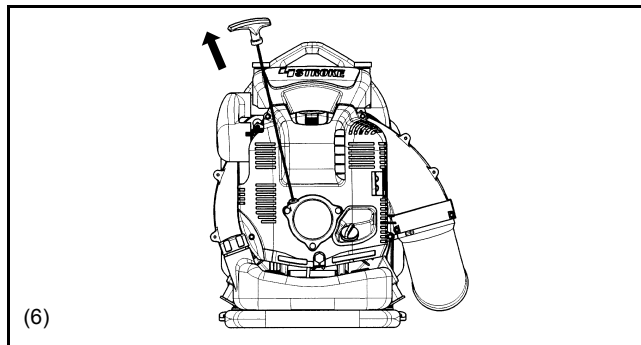
Arrancar el soplador sólo de acuerdo con las instrucciones.

¡ No utilizar cualquier otro método para arrancar el motor (6) !

- Utilizar el soplador y las herramientas suministradas sólo para las aplicaciones establecidas.
- Arrancar el soplador sólo después de completar el montaje de la máquina. Sólo se autoriza el funcionamiento de la máquina después de colocar todos los accesorios necesarios.
- El motor debe apagarse (interruptor en posición OFF) si se detecta cualquier problema de motor.
- Cuando se trabaje con el soplador, debe colocar sus dedos envolviendo el manillar, manteniendo la palanca de control sujeta entre sus dedos pulgar e índice. Mantenga su mano en esta posición para tener la máquina bajo control en todo momento. Comprobar que su palanca de control está en buen estado y que no hay humedad, resina, aceite o grasa.
Siempre llevar un calzado seguro y estable.
- Manejar el soplador de forma que se evite la inhalación de gases tóxicos de salida. Nunca encender el motor en estancias cerradas (riesgo de envenenamiento y sofoco). El monóxido de carbono es un gas inodoro. Siempre asegúrese que hay una ventilación adecuada.
- Apague el motor cuando descansa o cuando deje el soplador sin atender. Colóquelo en un lugar seguro para impedir daños a otras personas, causar incendios en materiales combustibles, o daños a la máquina.
- Nunca deje el aparato reposando sobre hierba seca u otro material combustible.
- Todas las partes protectoras y cubiertas suministradas con la máquina deben utilizarse durante el funcionamiento.
- Nunca trabajar con un tubo de escape defectuoso.
- Apagar el motor durante el transporte (7).
- Colocar el soplador de forma segura durante su transporte en coche o camión para impedir que pierda combustible.
- Durante el transporte del soplador, asegúrese que el tanque de combustible esté completamente vacío.

REABASTECIMIENTO

- Apagar el motor durante el reabastecimiento (7), mantenerse alejado de llamas (8), y no fume.
- Evite el contacto de los productos derivados del petróleo con su piel. No inhale en vapor del combustible. Siempre lleve guantes protectores durante el reabastecimiento. Cambie y limpie la ropa protectora en intervalos periódicos.
- Tome la precaución de no derramar combustible o aceite para impedir la contaminación del suelo (protección del medio ambiente). Limpie el soplador inmediatamente si se ha derramando combustible. Deje que las ropas húmedas se sequen bien antes de echarlas a un contenedor cubierto para prevenir la combustión instantánea.
- Evite el contacto del combustible con su ropa. Cambie su ropa inmediatamente si se ha vertido combustible (riesgo importante).
- Inspeccione la tapa de combustible periódicamente y asegúrese que queda firmemente sujeta.
- Apriete cuidadosamente el tornillo de cierre del tanque de combustible. Cambie de lugar para arrancar el motor ((por lo menos a una distancia de 3 metros del lugar de reabastecimiento) (9).
- Nunca reponer combustible en habitaciones cerradas. Los vapores de combustible se acumulan al nivel del suelo (riesgo de explosión).
- Únicamente transporte y almacene el combustible en contenedores aprobados. Asegúrese que el combustible almacenado no queda al alcance de niños.
- No intente reponer combustible en un motor caliente o en marcha.



METODO DE FUNCIONAMIENTO

- Utilizar el soplador sólo cuando las condiciones de luz y visibilidad sean buenas. Durante las estaciones fría, tome precauciones en áreas húmedas y resbaladizas, hielo y nieve (riesgo de caídas). Siempre utilice un calzado seguro.
- Nunca trabaje sobre superficies poco estables o terrenos con gran desnivel.
- Para reducir el riesgo de daños personales, no dirigir el chorro de aire hacia transeúntes, dado que la alta presión del aire puede herir los ojos y puede lanzar pequeños objetos a gran velocidad.
- Nunca inserte ningún objeto extraño en la entrada de aire ni en la salida del soplador. Se dañaría la hélice y puede causar un daño grave al operador o a transeúntes si el objeto o partes rotas salen rechazadas a gran velocidad.
- Prestar atención a la dirección del viento, es decir, no trabaje contra el viento.
- Para reducir el riesgo de volcar y perder el control, no camine hacia atrás mientras se trabaja con la máquina.
- Para siempre el motor antes de limpiar o hacer el servicio a la máquina, o al cambiar partes de la misma.

INSTRUCCIONES DE MANTENIMIENTO

- Guarde respeto al medio ambiente. Trabaje con el soplador realizando el mínimo ruido y polución posibles. En particular, compruebe que el ajuste del carburador es el adecuado.
- Limpie el soplador periódicamente y compruebe que todos los tornillos y tuercas están firmemente apretados.
- Nunca efectuar el mantenimiento o almacenaje del soplador cerca de llamas, chispas, etc (11).
- Siempre almacene el soplador en una habitación cerrada y bien ventilada, y con el tanque de combustible vacío.

Observe y siga todas las instrucciones de prevención de accidentes aplicables, emitidas por asociaciones, sindicatos y compañías de seguros. No realice ninguna modificación en el soplador dado que esto pondría en riesgo su seguridad.

La realización del mantenimiento o reparaciones por parte del usuario se limita a las actividades que se describen en el manual de operaciones. Las operaciones restantes deben efectuarse por el Agente Autorizado de Servicio.

Utilice sólo piezas de recambio y accesorios suministrados por Makita. La utilización de piezas no aprobadas conlleva un aumento en el riesgo de accidentes y daños. Makita no aceptaría ninguna responsabilidad por los accidentes o daños que sean causados por el uso de herramientas de corte o accesorios no aprobados.

PRIMEROS AUXILIOS

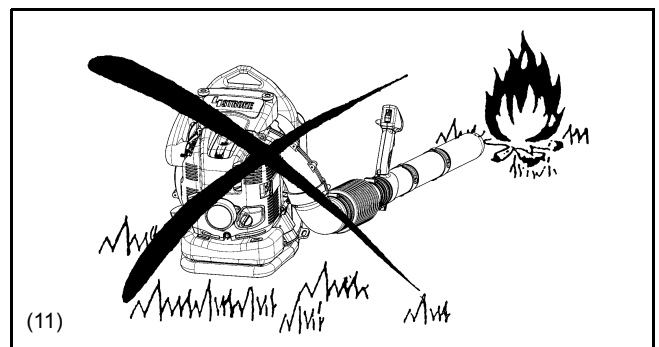
Para el caso de accidente asegúrese que un botiquín de primeros auxilios según DIN 13164 esté disponible cerca del lugar de trabajo. Reponer inmediatamente cualquier producto que se utilice del botiquín.

Cuando se pida ayuda, se debe proporcionar la siguiente información.

- Lugar del accidente.
- Qué ha ocurrido.
- Número de personas heridas.
- Clase de heridas.
- Su nombre.

EMBALAJE

El soplador Makita se suministra en una caja protectora de cartón para impedir daños durante el transporte. El cartón es una materia primaria básica y puede ser reutilizado consecuentemente o reciclado.



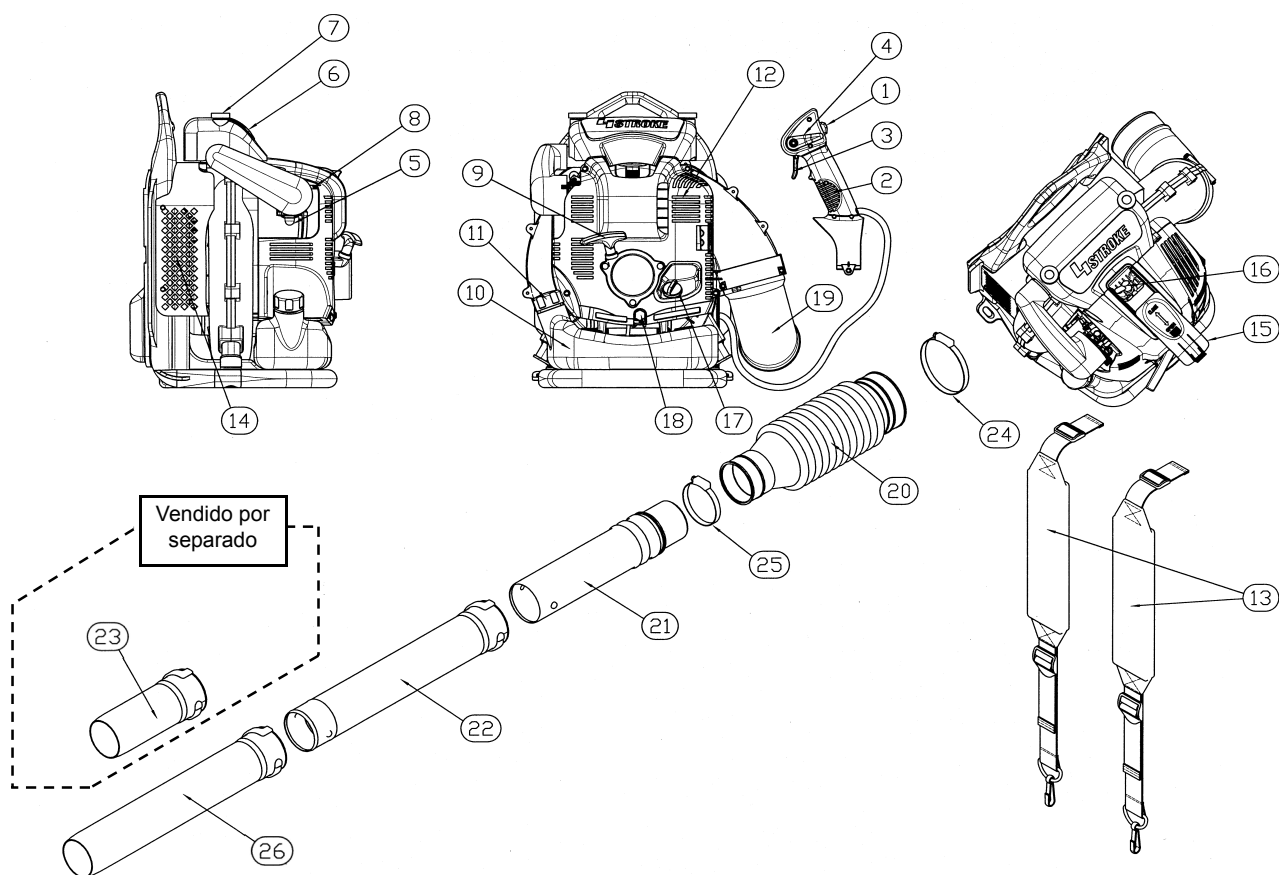
DATOS TÉCNICOS

Modelo		BBX7600 BBX7600CA
Peso (sin tubos)	(kg)	10,2 (22,4lbs)
Dimensiones (sin tubos)(largox ancho x alto)	(mm)	350 × 430 × 495 (13,7 × 16,9 × 19,5 in)
Máxima velocidad de motor	(min ⁻¹)	7.200
Ralenti	(min ⁻¹)	2.800
Desplazamiento total	(mL)	75,6 (4,61 cu.in)
Combustible a usar		Gasolina para autos
Volumen del tanque de combustible	(L)	1,9 (64,2 fl.oz)
Aceite del motor		Aceite SAE10W 30 de la categoría superior a la clase SF de la clasificación API (Aceite de motor de cuatro tiempos para autos)
Volumen del aceite de motor	(L)	0,22 (7,4 fl.oz)
Carburador (diafragma)		WALBRO WYK
Sistema de Encendido		Incendido en estado sólido
Bujías		NGK CMR6A
Distancia entre electrodos	(mm)	0,7 - 0,8 (0,028 - 0,031 in)
Nivel de ruido (50Feet según ANSI B175-2-2000)	dB(A)	74

NOTA:

1. Utilice el aceite y la bujía de alta tension designados por Makita.
2. Las especificaciones se podrán modificar sin previo aviso.

DENOMINACIÓN DE PARTES



DENOMINACIÓN DE PARTES	DENOMINACIÓN DE PARTES	DENOMINACIÓN DE PARTES	DENOMINACIÓN DE PARTES
1. Interruptor de paro	8. Palanca de choque	15. Tapa de la bujía	22. Tubo de soplador
2. Palanca de control	9. Mango de arrancador	16. Bujía de alta presión	23. Boquilla de Soplador Longitud: 200
3. Palanca de disparo	10. Tanque de combustible	17. Tapón de aceite	24. Banda manguera \varnothing 100
4. Palanca de control de crucero	11. Tapón de tanque de combustible	18. Perno de drenaje aceite	25. Banda manguera \varnothing 76
5. Bomba cebadora	12. Silenciador	19. Codo	26. Boquilla de Soplador Longitud: 450
6. Cubierta del elemento	13. Correa al hombro	20. Tubo flexible	
7. Perno de perilla	14. Red de entrada de aire	21. Tubo oscilante	

INSTRUCCIONES DE MONTAJE

Ensamblaje de los tubos del soplador

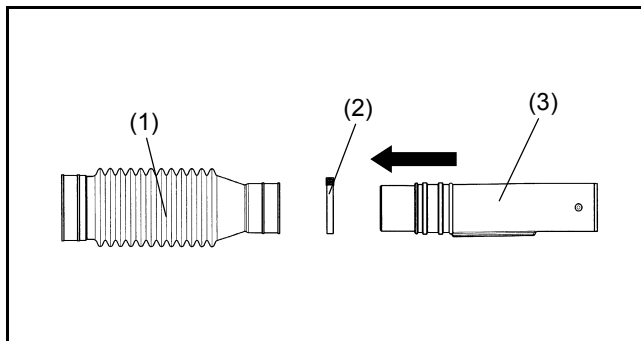
PRECAUCION : Antes de efectuar cualquier trabajo en el soplador, siempre detener el motor y separar los conectores de la bujía.

Siempre llevar guantes protectores.

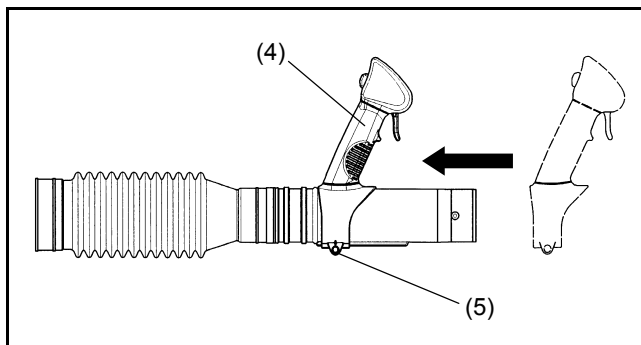
PRECAUCION : Arrancar el soplador sólo después de ensamblarlo completamente.



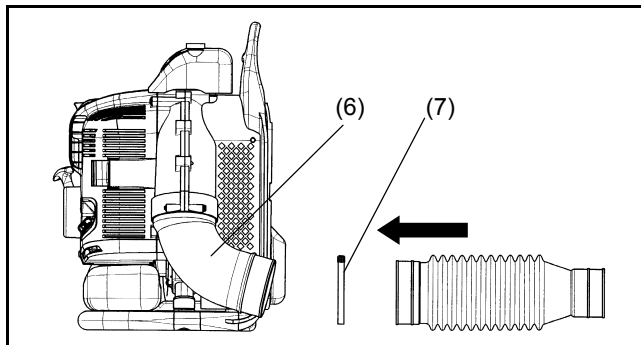
1. Una el tubo fijo girandolo (3) y metiendolo en tubo flexible (1) y aprietalos con la anilla (2).



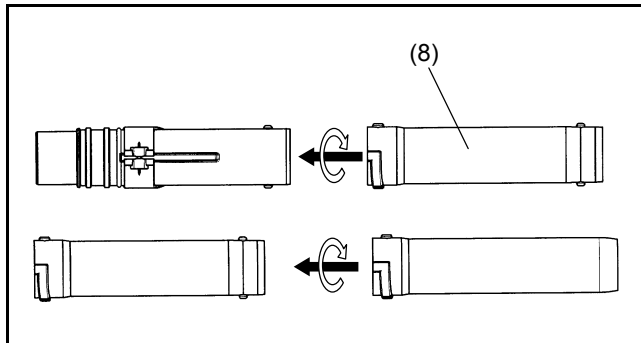
2. Instale la empuñadura de control (4) sobre el tubo fijo girándolo y apretándolo con el tornillo de la abrazadera (5).



3. Una el tubo flexible con el codo (6) sobre el soplador y apriete con la anilla (7).



4. Una el tubo fijo (8) con el tubo fijo girándolos en el sentido de las agujas del reloj para bloquearlos hasta su alojamiento correcto.



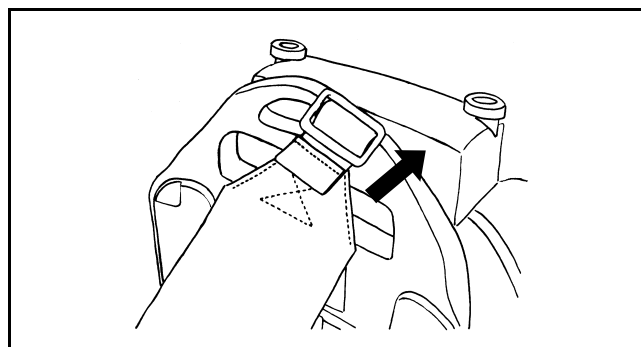
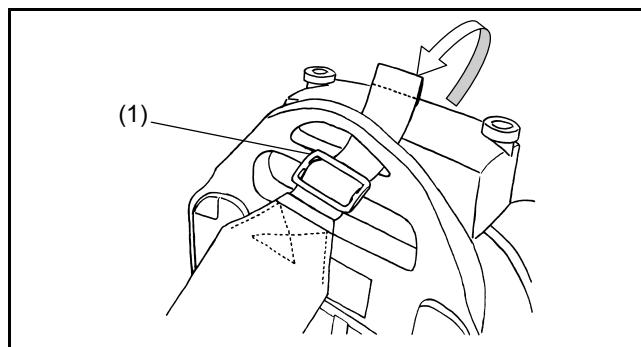
5. Asegúrese de que todas las abrazaderas estén apretadas.

Instalación de la correa al hombro

Procedimiento de instalación

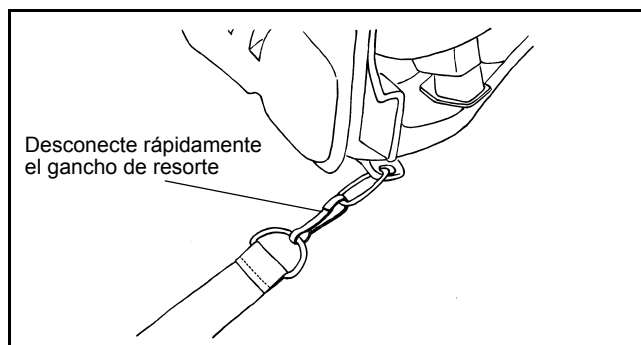
Instalación de la correa al hombro en el soplador.

- Haga un bucle en la punta de la correa por la parte inferior del soporte como aparece en la figura de la derecha. El lado de la correa con la punta plegada debe tirar hacia afuera. Esto hace que la punta de la correa pase por el soporte y haga pasar la longitud restante de la correa por la hebilla (1). Apriete la hebilla (1) empujando hacia el soporte en el sentido de la flecha que aparece en el dibujo mientras tira de la correa en el sentido opuesto.
- Después de instalar la correa, apriete la hebilla en el soporte. Tire con fuerza de la correa para asegurarse que la correa está firme y no se soltará.



- Instale el gancho en la parte inferior de la correa al hombro en el aro en el marco.
- Verifique que la correa no está retorcida.

Precaución: Asegúrese de que la correa está instalada con la punta plegada orientada hacia afuera. Si se utiliza la correa con la parte de afuera de la correa hacia adentro, existe el peligro de que la correa pueda aflojarse y el soplador puede caerse de la mano del operador.



ANTES DE PONER EN MARCHA EL MOTOR

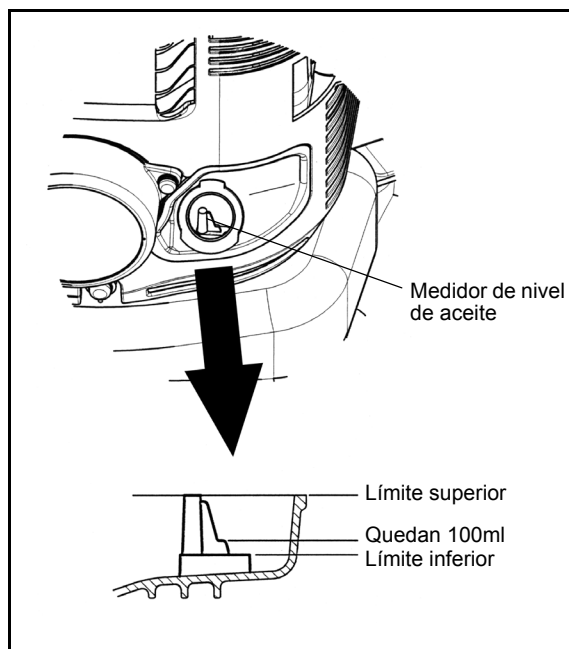
1. Inspección y rellenado de aceite de motor

1) Siga el procedimiento a continuación cuando el aceite está frío, es decir, sin hacer funcionar el soplador.

- **Inspección:** Coloque el soplador sobre una superficie plana y abra el tapón de aceite. Verifique que el nivel de aceite está dentro de las marcas de límite superior e inferior en el medidor de nivel de aceite. Agregue más aceite si el nivel está debajo de la marca de 100ml.
- **Agregado de aceite:** Coloque el soplador sobre una superficie plana y abra el tapón de aceite. Llene con aceite hasta el límite superior del medidor de nivel de aceite.

2) En promedio, es necesario llenar normalmente el aceite de motor cada 20 horas de funcionamiento. Este intervalo para cada cambio de aceite corresponde al rellenado del soplador 10-15 veces.

3) Cambie el aceite cuando esté sucio o se produzcan cambios importantes del color. (Consulte la página. 60 para el procedimiento y frecuencia del cambio de aceite.)



Aceite recomendado: Aceite auténtico Makita o aceite SAE10W-30 o de tipo API grado SF o mejor (motor de 4 carreras 4 para automóviles)

Capacidad de aceite: Aproximadamente 0,22 L (220 ml)

Precaución:

- Si no guarda el soplador en posición vertical, el aceite puede fluir del medidor de nivel hacia el motor y producir una lectura falsa cuando inspeccione el nivel de aceite. Esto puede provocar un rellenado por error. Guarde siempre en posición vertical.
- Si se excede el límite superior del nivel de aceite, el aceite podrá ensuciarse y es posible que aparezca humo blanco debido a un quemado excesivo de aceite.

Punto de inspección N°1: El tapón de aceite

- Limpie la suciedad y polvo alrededor de la abertura antes de abrir el tapón de aceite.
- Quite el tapón de aceite y póngalo sobre una superficie limpia de forma que no acumule nada arena, suciedad, u otras materias extrañas. Estas sustancias pueden adherirse al tapón y adulterar el aceite de motor. Un aceite que contenga arena, suciedad, o materias extrañas puede causar un desgaste excesivo del motor debido a una lubricación inapropiada y causar una avería.

Punto de inspección N°2: Vertido de aceite

- Si se vierte aceite sobre el exterior del soplador podrá ocasionar que el aceite de motor se ensucie o adultere. Por lo tanto, limpie el aceite caído antes de arrancar el motor.

2. Abastecimiento de combustible



- Cuando reabastezca combustible a la unidad, asegúrese de observar las instrucciones siguientes para evitar una ignición o incendio:
 - El suministro de combustible deberá ser realizado en un lugar donde no haya fuego. No lleve nunca el fuego (fumar, etc.) cerca del lugar donde realiza el suministro de combustible.
 - Pare el motor y déjelo enfriar antes de realizar el reabastecimiento.
 - Abra el tapón de tanque de combustible poco a poco. El combustible podrá derramarse si hay presión interna.
 - Tenga cuidado para no derramar el combustible. Cualquier combustible vertido deberá ser limpiado.
 - Efectúe el abastecimiento en un lugar con ventilación adecuada.
- Tenga buen cuidado con el manejo de combustible.
 - El combustible pegado al piel o metido en los ojos podrá causar alergia o inflamación. En caso que tenga alguna anomalía en el cuerpo, consulte con un médico especializado inmediatamente.
- NO ponga aceite en el tanque de combustible.

Período de almacenamiento del combustible

El combustible deberá utilizarse dentro de un periodo de 4 semanas, aunque esté almacenado en un recipiente especial en un lugar bien ventilado y sombreado.

De lo contrario, el combustible podrá deteriorarse en un día.

Almacenaje de la máquina y del tanque de reabastecimiento

- Conservar la máquina y el tanque en lugar fresco libre de luz directa.
 - No conserve nunca el combustible en un automóvil.
-
-

Combustible

El motor es de cuatro tiempos. Asegúrese de utilizar gasolina normal o especial para automóviles.

Puntos relacionados con el combustible

- Nunca use gasolina mezclada con aceite de motor. Si lo hace se producirá una excesiva acumulación de carbonilla u ocurrirán problemas mecánicos.
 - El uso de un combustible deteriorado puede producir irregularidades en el arranque.
-
-

Cuando vaya a reabastecer combustible, pare el motor y espere hasta que se enfríe.

Método que reaprovisiona de combustible

- Afloje el tapón del tanque un poco para liberar la presión del tanque.
- Quite el tapón del tanque y eche combustible al tiempo que descarga el aire inclinando el tanque de combustible, de manera que el orificio de reabastecimiento quede orientado hacia arriba. NO llene nunca el tanque de combustible hasta rebosar.
- Apriete firmemente el tapón del tanque después del reabastecimiento.
- Si hay algún defecto o daño en el tapón del tanque, sustituirlo.
- El tapón del tanque se estropea con el paso del tiempo. Reemplácelo cada dos o tres años.
- NO ponga combustible en el orificio de llenado de aceite.

OPERACIÓN



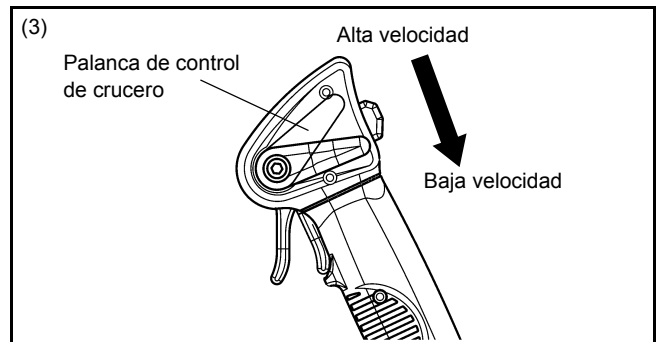
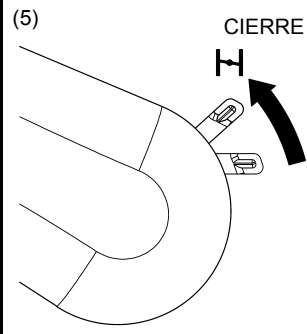
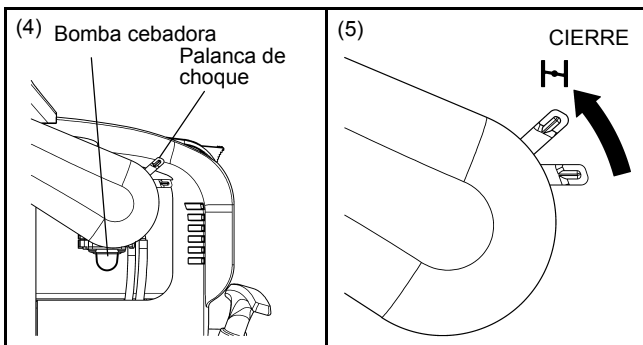
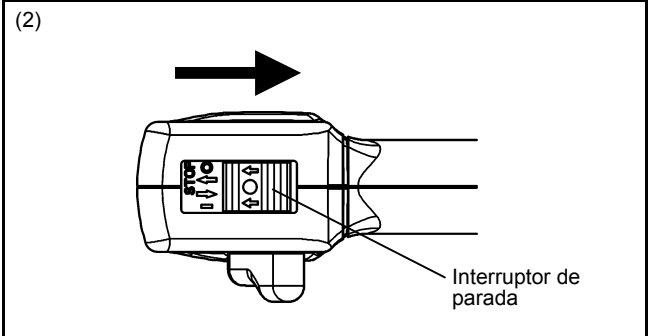
1. Modo de arranque

ALARMA

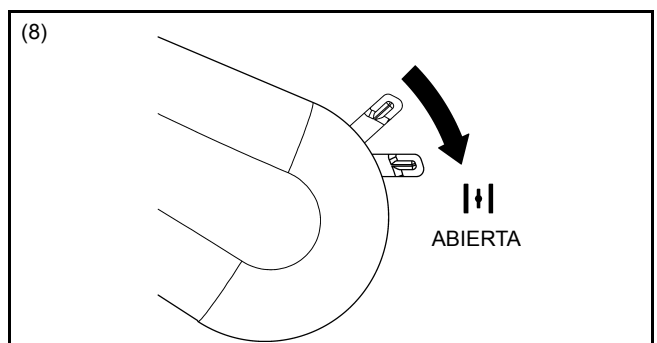
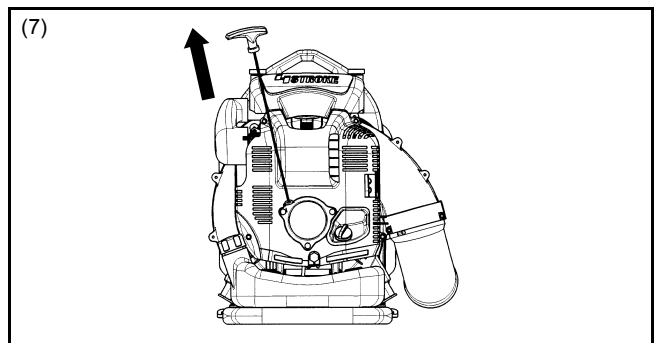
- No deje arrancar el motor en el lugar donde se ha abastecido el combustible.
 - Podrá causar ignición o incendio. Cuando arranque el motor, mantenga una distancia de al menos 3 metros.
- El gas de escape del motor es tóxico. No lo utilice en un lugar sin ventilación adecuada tales como en el interior, túnel, etc.
 - Utilizar en un lugar sin ventilación adecuada podrá causar efecto tóxico del gas de escape.
- Una vez arrancado, si se siente anormal en sonido, olor, vibración, etc., detenga inmediatamente el motor y proceda a inspeccionarlo.
 - Seguir utilizándolo sin parar podrá causar un accidente.
- Compruebe que el motor parará cuando el interruptor de parada está en la posición O.

1) Cuando el motor esté frío o después de reabastecer combustible

- (1) Coloque la máquina sobre una superficie plana.
- (2) Coloque el interruptor de parada en la posición "I".
- (3) Verifique la palanca de control de velocidad de crucero está en la posición de baja velocidad.
- (4) Continúe empujando la bomba cebadora hasta que entre combustible en la misma.
 - En general, el combustible entra en la carburador después de empujar de 7 a 10 veces.
 - Si la bomba cebadora se empuja excesivamente, un exceso de la gasolina vuelve al tanque de combustible.
- (5) Levante la palanca de choque hasta la posición cerrada.



- (6) Sujete la cubierta del elemento con la mano izquierda para evitar que el motor se mueva.
- (7) Tire suavemente del asa de arranque hasta que se sienta una resistencia (punto de compresión). Luego, retorne el tirador de arranque y tire con fuerza.
 - Nunca tire hasta el límite del cordón.
 - Cuando se tire del tirador de arranque, no la suelte inmediatamente. Sujete el tirador de arranque hasta que vuelva a su posición original.
- (8) Abra la palanca de choque después de que el motor haya arrancado.
 - Abra la palanca de choque completamente cuando compruebe la operación del motor.
 - En tiempo frío o cuando el motor está frío, nunca abra súbitamente la palanca de choque. De hacerlo, el motor puede pararse.
- (9) Deje que el motor se caliente durante 2 ó 3 minutos.
- (10) El calentamiento se habrá completado cuando se produzca una aceleración rápida del motor desde pocas rpm hasta todo gas.



NOTA

- La palanca de choque, si se levanta de la posición “cerrada” hacia arriba, podrá dañarse.
- Si el motor detona y se para, vuelva a poner esta palanca en la posición “abierta” y tire del mango de arrancador varias veces para arrancar el motor otra vez.
- Si el operario sigue tirando del mango de arrancador varias veces estando la palanca de choque en la posición “cerrada”, es posible que resulte difícil arrancar el motor debido a una anegación de combustible.
- En el caso de una anegación de combustible, quite la bujía de alta tensión y tire del mango varias veces rápidamente para descargar cualquier exceso de combustible. Deje secar la parte de electrodo de la bujía de alta tensión.
- En caso de que la válvula de mariposa no vuelva hasta que toque el tornillo ajustador de marcha lenta aunque la palanca de admisión de los gases funcione a la velocidad baja, ajuste el enganche del cable de control para que vuelva.

2) Cuando está caliente el motor

- (1) Coloque la máquina sobre el suelo plano.
- (2) Empuje unas veces la bomba de cebado.
- (3) Asegúrese que la palanca de choque está abierta.
- (4) Sujete la cubierta del elemento con la mano izquierda para evitar que el motor se mueva.
- (5) Saque lentamente el mango de arranque hasta que sienta cierta resistencia. Entonces, vuelva una vez el mango de arranque y tire fuertemente.
- (6) En caso de que sea difícil el arranque del motor, proceda a arrancarlo con la mariposa abierta por 1/3 aproximadamente.

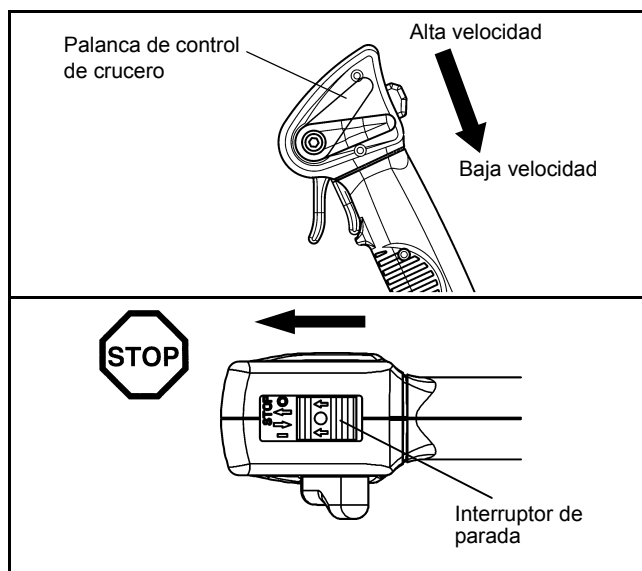
2. Modo de parar

1) Cuando la palanca de control de velocidad de crucero está en la posición de baja velocidad.

Separe la palanca de disparo y una vez bajada la velocidad del motor, ponga el interruptor de parada en la posición “O”.

2) Cuando la palanca de control de velocidad de crucero está en otra posición que no sea la posición de baja velocidad.

Mueva la palanca de control de velocidad de crucero a la posición de baja velocidad, reduzca la velocidad del motor y mueva el interruptor de parada a la posición “O”.



AJUSTE DEL RALENTÍ



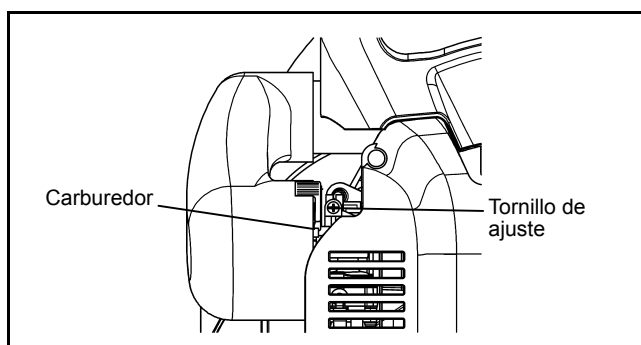
! PRECAUCIÓN

El carburador se ajusta en fábrica. Le rogamos que no haga ningún otro ajuste que el de ralentí. Cuando sea necesario realizar algún ajuste, consulte con el distribuidor o con un agente de servicio autorizado.

Comprobación del giro a baja velocidad

Ajuste el giro a baja velocidad a 2.800 rpm (/min).

- Si fuera necesario cambiar la velocidad de giro, regule el tornillo de ajuste (en la figura de la derecha) usando un destornillador Philips.
- Gire el tornillo de ajuste hacia la derecha, y aumentará la velocidad del motor. Gire el tornillo de ajuste hacia la izquierda, y disminuirá la velocidad del motor.



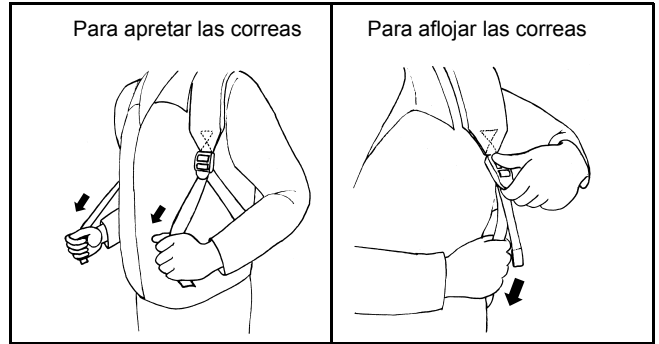
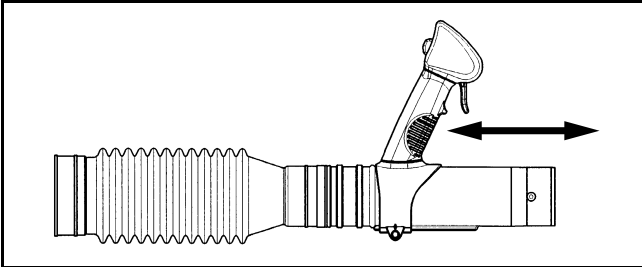
PROCEDIMIENTO DE OPERACIÓN

1. Ajuste de la correa al hombro

Ajuste la correa al hombro a una longitud que le resulte cómoda para trabajar mientras lleva el soplador.
Ajuste tal como aparece en la figura.

2. Ajuste la palanca de control

Mueva el mango de control por el tubo oscilante hasta la posición que sea más cómoda.



3. Operación del Soplador

Mientras utiliza el soplador, ajuste la barra de la mariposa para que la fuerza del viento sea adecuada para el lugar y condiciones del trabajo.

Baja velocidad: Hojas y pasto seco

Alta velocidad: Pedregullo y tierra

La palanca de control de crucero permite al operario mantener una velocidad del motor constante sin utilizar la palanca de disparo.

Al levantar la palanca de control de crucero aumenta la velocidad del motor.

Al bajar la palanca de control de crucero disminuye la velocidad del motor.

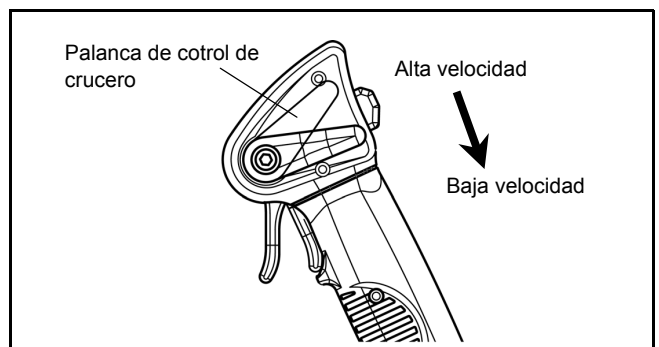
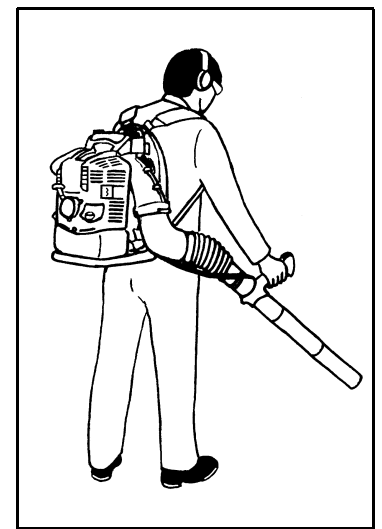
Ajuste de la velocidad del motor cuando se está utilizando la palanca de control de crucero:

Quando se quiere aumentar la velocidad del motor:

- Tire de la palanca de disparo para aumentar la velocidad del motor. La velocidad del motor volverá a su ajuste original cuando suelte la palanca de disparo.
- Al aumentar la velocidad del motor de esta manera también aumenta el ajuste de control de crucero. La palanca de control de crucero sube simultáneamente al tirar de la palanca de disparo, y el nuevo ajuste de control de crucero se mantendrá a la velocidad del motor más alta.

Quando se quiere reducir la velocidad del motor:

- Baje la palanca de control de crucero a la posición de baja velocidad.



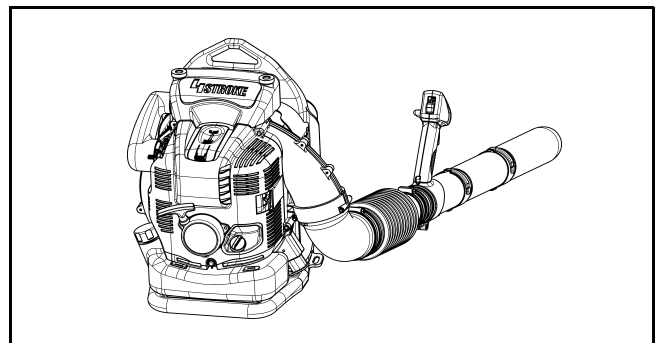
Transporte y guardado del soplador

Mantenga el soplador en posición vertical cuando lo transporte o guarde. (Consulte la figura derecho)

El transporte y guardado en una posición que no sea vertical puede hacer que el aceite entre dentro del motor del soplador. Esto puede provocar fugas de aceite y humo blanco por el quemado del aceite y el depurador de aire puede ensuciarse con el aceite.

PRECAUCIÓN

- Cuando transporte el soplador, asegúrese de parar el motor.





PRECAUCIÓN

- Antes de efectuar la inspección y mantenimiento, pare el motor y deje que se enfríe. Quite la bujía de alta presión y la caperuza de la bujía.
- De lo contrario, el operario podrá sufrir quemaduras o heridas graves a causa de un arranque imprevisto.
- Después de terminar la inspección y mantenimiento, compruebe que todas las piezas están instaladas antes de empezar la operación.

1. Cambio del aceite del motor

El aceite del motor que se ha deteriorado acortará sustancialmente la duración de las piezas deslizantes y giratorias. Asegúrese de comprobar el periodo de recambio y la calidad del aceite.

PRECAUCIÓN

- En general, el motor y el aceite siguen calientes después de pararse el motor. Cuando cambie el aceite, confirme que el motor y el aceite se han enfriado suficientemente. Si no lo hace puede quemarse. Deje pasar tiempo suficiente después de parar el motor para que el aceite de motor vuelva al tanque de aceite con objeto de asegurar una lectura precisa del indicador de nivel de aceite.
- Si suministra aceite por encima del límite, el aceite puede ensuciarse o puede prender fuego con humo blanco.

Intervalo de recambio: Después de las primeras 20 horas de funcionamiento y posteriormente cada 50 horas de funcionamiento

Aceite recomendado: SAE 10W-30 de clasificación API, clase SF o superior (para motores de automóviles de 4 tiempos)

Procedimiento de cambio del aceite

Siga estos pasos cuando cambie el aceite:

- (1) Coloque el soplador en una superficie plana.
- (2) Coloque un recipiente de aceite residual debajo del orificio de drenaje (1) para recibir el aceite drenado. El recipiente debe tener una capacidad de por lo menos 220 ml para que pueda recibir todo el aceite.
- (3) Afloje el perno de drenaje de aceite (2) para que salga el aceite. Tenga cuidado de que el aceite no entre en el tanque de combustible o en otras partes.

Precaución: Tenga cuidado de no perder la empaquetadura (arandela de aluminio) (3). Ponga el perno de drenaje de aceite (2) en un lugar donde no se ensucie.

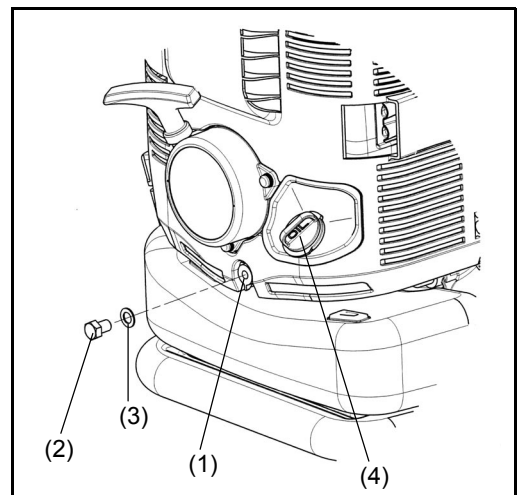
- (4) Abra el tapón de aceite (4). (La apertura de el tapón de aceite (4) permite drenar fácilmente el aceite.).

Precaución: Asegúrese de poner el tapón de aceite (4) en un lugar donde no se ensucie.

- (5) Como el nivel del aceite drenado baja, incline el soplador hacia el lado con el drenaje para que todo el aceite pueda vaciarse.
- (6) Después de que el aceite se haya vaciado completamente, apriete firmemente el perno de drenaje de aceite (2). Si no se apretó firmemente el tapón, esto puede provocar una fuga de aceite.

Precaución: No se olvide de volver a poner la empaquetadura (arandela de aluminio) (3) al volver a cerrar el perno de drenaje de aceite.

- (7) El agregado de aceite durante el procedimiento de cambio de aceite se hace de la misma forma que el procedimiento explicado por separado para el agregado de aceite cuando el nivel sea insuficiente. Agregue siempre el aceite llenando por la abertura debajo de el tapón de aceite.
(Nivel de aceite especificado: Aproximadamente 220 ml)
- (8) Después de llenar con aceite, apriete firmemente el tapón de aceite (4) para evitar fugas de aceite.



Puntos relacionados con el aceite

- Nunca tire el aceite de motor usado a la basura, sobre la tierra o a un canal de aguas residuales. El desecho del aceite del motor está regulado por la ley. Siga siempre las leyes y regulaciones pertinentes cuando lo deseche. Para una información más detallada, póngase en contacto con un Agente de Servicio Autorizado.
- El aceite se deteriora aunque no se use. Realice inspecciones y cambie el aceite regularmente (cambie el aceite cada 6 meses).

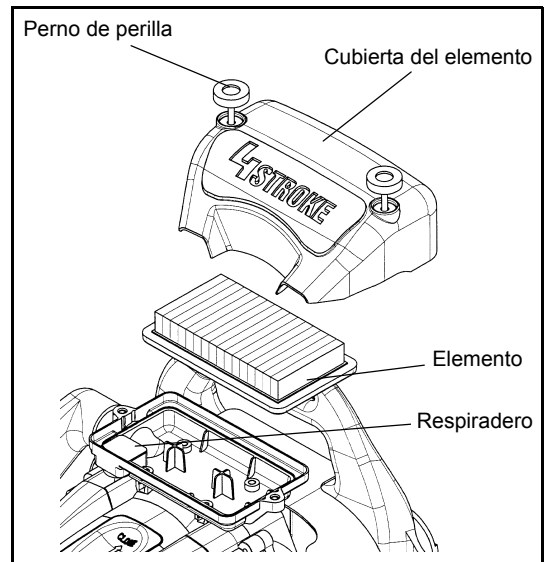
2. Limpieza del depurador de aire



PELIGRO: Los materiales inflamables están estrictamente prohibidos

Intervalo de limpieza e inspección: diariamente (cada 10 horas de funcionamiento)

- (1) Afloje los pernos de perilla.
- (2) Desmunte la cubierta del depurador de aire.
- (3) Saque el elemento y limpie la suciedad con el cepillo.
Nota: El elemento es de tipo seco y no debe mojarse. No lave nunca con agua.
- (4) Cambie el elemento por uno nuevo si está averiado o muy sucio.
- (5) Limpie el aceite que pueda estar en contacto con el respiradero con un trapo o paño.
- (6) Instale el elemento en la caja del depurador.
- (7) Instale la cubierta del depurador de aire y apriete el perno de la perilla.



PRECAUCIÓN

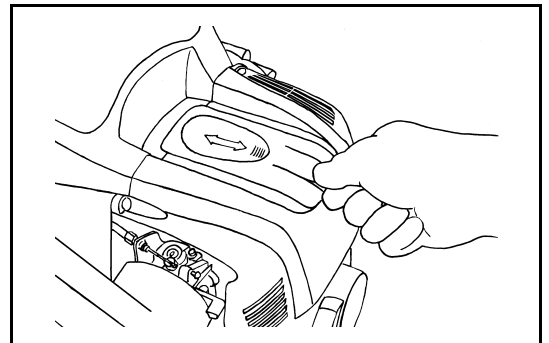
- Limpiar el elemento varios veces a diario si hay polvos adherentes en exceso.
- Si la marcha continua con el elemento adherente del aceite, el aceite en el filtro de aire puede caerse fuera, provocando contaminación del aceite.

3. Inspección de la bujía de alta tensión

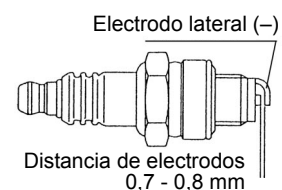
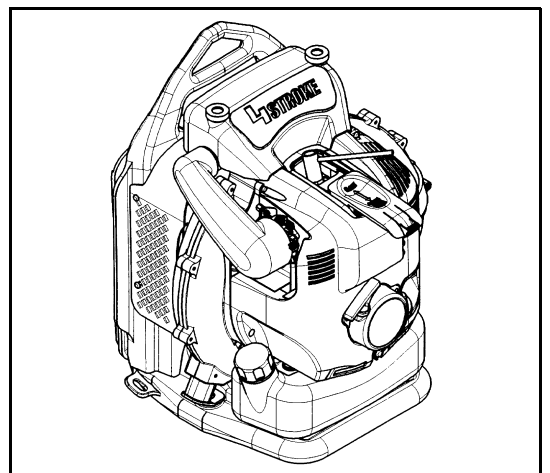


PRECAUCIÓN

- Antes de quitar la bujía, asegúrese de limpiar la bujía y la culata para que no entren los polvos o arena en el cilindro.
- Asegúrese de quitar la bujía cuando el motor esté enfriado para que no se dañen los orificios de tornillo del cilindro.
- Asegúrese de montar la bujía correctamente. Si se monta oblicuamente, se dañan los orificios de tornillo del cilindro



- (1) Abrir y cerrar la tapa de la bujía de alta tensión
Para abrir la cubierta del tapón, presione sobre la saliente de la cubierta del tapón y deslice en el sentido de la indicación "OPEN" tal como aparece en la figura de la derecha.
Para cerrarla, deje deslizarla hacia la dirección de "CLOSE" hasta que la uña colocada bajo de la parte saliente de la tapa de la bujía se ponga encima de la tapa del motor.
- (2) Quitar la bujía de alta tensión
Para quitar y montar la bujía de alta tensión utilice la llave de rosca adjunta.
- (3) Inspección de la bujía de alta tensión
La distancia entre dos electrodos es 0,7 - 0,8mm (Refiérase a la figura derecha). En caso de que esta distancia sea demasiado grande o demasiado pequeña, ajuste para que tenga la distancia adecuada.
En caso de que la bujía de alta tensión lleve el carbón acumulado o se encuentre sucia, debe limpiarse completamente o reemplazarse.
- (4) Reemplazar la bujía de alta tensión
Para reemplazarla, utilice NGK-CMR6A



4. Limpieza del filtro de combustible

- Cuando el filtro de combustible está atascado, el arranque podrá ser difícil o la velocidad del motor no podrá aumentarse.
- Compruebe el filtro de combustible según las siguientes instrucciones periódicamente.

- (1) Quite el tapón del tanque de combustible y saque el combustible para que quede sin combustible. En este momento, compruebe que no queda ningún material extraño en el tanque de combustible. Si queda, sáquelo completamente.
- (2) Saque el filtro de combustible de la boquilla de lubricación de aceite con el alambre o alguna cosa similar.
- (3) En caso de que la superficie del filtro de combustible esté sucia, quite la suciedad con gasolina. La gasolina utilizada para la limpieza deberá ser desechada de acuerdo con el método designado por cada municipio. Si el filtro está muy contaminado deberá reemplazarse.
- (4) Vuelva el filtro de combustible en el tanque de combustible y apriete bien el tapón del tanque de combustible. Pida el reemplazo del filtro de combustible a un distribuidor o a un taller de mantenimiento.

5. Inspección de pernos, tuercas y tornillos

- Reapriete los pernos, tuercas, etc. que estén flojos.
- Compruebe si hay fugas de combustible o aceite.
- En aras de la seguridad de manejo, cambie las piezas dañadas por nuevas.

6. Limpieza de piezas

- Mantenga el motor limpio limpiándolo con un paño de limpieza.
- Mantenga las aletas del cilindro siempre limpias de polvo o suciedad. El polvo y la suciedad adherida a estas aletas causarán el agarrotamiento del motor.
- El aire soplado entra por la red de entrada de aire. Cuando el flujo de aire baja durante el funcionamiento, pare el motor e inspeccione la red de entrada de aire por si está tapado por obstáculos.
- Un bloqueo así puede ocasionar recalentamiento y dañar el motor.

ADVERTENCIA:



Nunca utilice el soplador sin la red para el soplador. Antes de cada uso, verifique que la red está instalada en su lugar y que no tiene averías.

7. Cambio de juntas y retenes

Reemplace las juntas y retenes si desensambla el motor.

Cualquier trabajo de mantenimiento o ajuste que no se incluya en este manual debe ser realizado solamente por un Agente de Servicio Autorizado.

ALMACENAMIENTO

ALARMA

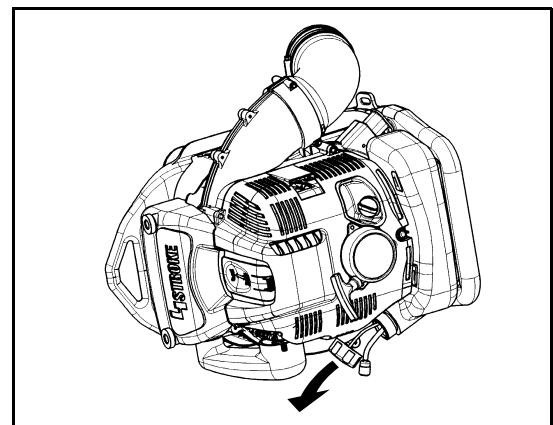
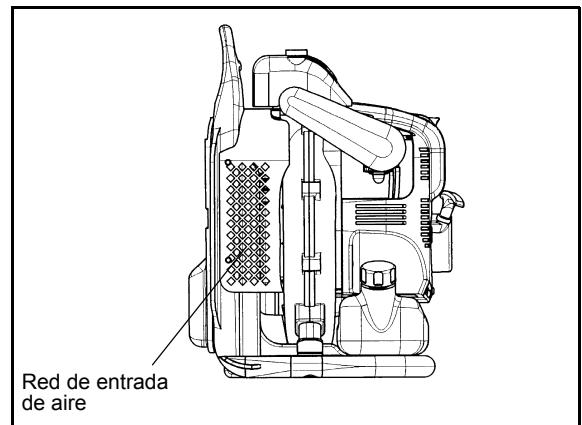
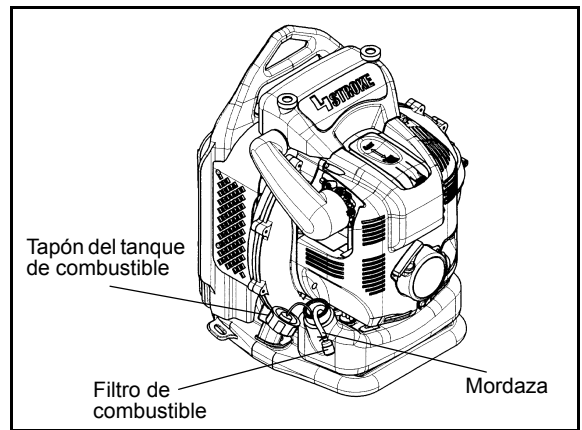
- Cuando vaya a drenar el combustible, pare el motor y espere hasta que se enfríe.
 - En caso contrario podrán producirse quemaduras o un incendio.

PRECAUCIÓN

- Cuando almacene la máquina durante largo tiempo, drene todo el combustible del tanque de combustible y carburador, y manténgala en un sitio seco y limpio.

Descargue completamente el combustible del tanque de combustible y del carburador según el procedimiento siguiente :

- (1) Quite el tapón del tanque de combustible, y descargue el combustible completamente. Si queda cualquier materia extraña en el tanque de combustible, elimínela completamente.
- (2) Saque el filtro de combustible desde el orificio de reabastecimiento usando el alambre.
- (3) Sacar la bomba cebadora hasta que el combustible sea descargado de allí, y descargue el combustible entrante en el tanque de combustible.
- (4) Ajuste el filtro en el tanque de aceite y apretar firmemente el tapón del tanque de combustible.
- (5) Entonces, continúe haciendo marchar el motor hasta que el motor se pare.
- (6) Quite la bujía, y haga caer de gotas de aceite para motor a través del agujero de la bujía.
- (7) Tire tranquilamente el manillar del motor de arranque de modo que el aceite del motor extienda en el motor, y coloque la bujía.
- (8) Mantenga la máquina con su mango hacia arriba.
- (9) Conserve el aceite descargado en el recipiente especial a la sombra bien ventilada.



Localización de averías

Avería	Sistema	Observaciones	Causas
El motor no arranca o lo hace con dificultades	Encendido	Hay chispa de encendido	Fallo en suministro de combustible o sistema de compresión Defecto mecánico
		No hay chispa	Interruptor STOP conectado, fallo del cableado o cortocircuito, bujía o conector defectuosos, fallo en el módulo de encendido
	Suministro de combustible	Tanque lleno	Posición incorrecta del estrangulador, carburador defectuoso, cabezal de succión sucio, línea de suministro de combustible doblada o interrumpida
	Compresión	Interior del motor	La junta interior del cilindro es defectuosa, los retenes del cigüeñal están dañados, el cilindro o los segmentos del pistón están dañados
Problemas de arranque en caliente	Fallo mecánico	El arrancador no funciona	El muelle del arrancador está roto. Partes rotas en el interior del motor
		Tanque lleno hay chispa de encendido	Carburador contaminado, hay que limpiarlo
El motor arranca y se para inmediatamente	Suministro de combustible	Tanque lleno	Ajuste en vacío incorrecto, el cabezal de succión o el carburador están contaminados La ventilación del tanque falla, la línea de suministro de combustible está interrumpida. El interruptor o el cable STOP fallan.
Rendimiento pobre	Varios Sistemas pueden verse afectados	Motor en vacío	Filtro de aire contaminado, carburador contaminado, silenciador obturado, conducto de salida en el cilindro obturado

Item	Tiempo de funcionamiento								Pág. Correspondiente
		Antes del manejo	Después del manejo	Diariamente	30 horas	50 horas	200 horas	Parada/reposo	
Aceite del motor	Inspección/limpieza	○							55
	Cambio					○*1			60
Piezas de apriete (pernos, tuercas)	Inspección	○							62
	Limpeza/inspección	○							-
Tanque de combustible	Drenaje del combustible							○*3	62
	Comprobación del funcionamiento		○						-
Palanca del acelerador	Comprobación del funcionamiento		○						57
Interruptor de parada	Comprobación del funcionamiento		○						-
Giro a baja velocidad	Inspección/ajuste			○					58
Depurador de aire	Limpeza			○					61
Bujía	Inspección			○					61
Conducto de aire de refrigeración	Limpeza/inspección			○					62
Tubo de combustible	Inspección			○					62
	Cambio						⊙*2		-
Filtro de combustible	Limpeza/cambio					○			62
Holgura entre la válvula de admisión de aire y la válvula de descarga de aire	Ajuste						⊙*2		-
Tubo de aceite	Inspeccionar						⊙*2		-
Reacondicionamiento del motor							⊙*2		-
Carburador	Drenaje del combustible							○*3	62

*1 Haga el cambio inicial después de 20 horas de funcionamiento.

*2 Encargue la inspección de las 200 horas de funcionamiento a un Agente o Taller de Servicio Autorizado.

*3 Después de vaciar el tanque de combustible, deje el motor en funcionamiento y drene el combustible en el carburador.

INVESTIGACIÓN DE AVERÍAS

Antes de solicitar reparaciones; compruebe el problema usted mismo. Si se encuentra una anomalía, controle la máquina de acuerdo con la descripción de este manual. Nunca manipule ni desmonte piezas no relacionadas con la descripción. Para reparaciones, póngase en contacto con el Agente de Servicio Autorizado o concesionario local.

Estado de la anomalía	Causa probable (avería)	Remedio
El motor no arranca	No funciona la bomba cebadora	Empuje 7 a 10 veces
	Tirador de arranque agarrotado o duro	Tire con fuerza
	Falta combustible	Eche combustible
	Filtro de combustible atascado	Límpielo
	Tubo de combustible roto	Cámbielo
	Combustible deteriorado	El combustible deteriorado dificulta el arranque. Cambie el combustible por nuevo (cambio recomendado: 1 mes).
	Excesivo consumo de combustible	Coloque la palanca del acelerador entre velocidad media y alta y tire del asa de arranque de modo que el motor se ponga en marcha. Si el motor no arrancase, saque la bujía; seque el electrodo y vuelva a colocarla en su posición original. Vuelva a intentar arrancar.
	Caperuza de bujía suelta	Instálela firmemente.
	Bujía sucia	Límpuela
	Distancia anormal del electrodo de la bujía	Cámbiela o ajuste la bujía.
	Otras anomalías de la bujía	Cambie
	Carburador anormal	Solicite la inspección y mantenimiento
	No puede tirarse del cordón de arranque	Solicite la inspección y mantenimiento
Sistema de transmisión anormal	Solicite la inspección y mantenimiento	
El motor se para pronto No aumenta la velocidad del motor	Calentamiento insuficiente	Efectúe el calentamiento
	La palanca de estrangulación está en la posición CLOSE aunque el motor está caliente	Colóquela en OPEN
	Filtro de combustible atascado	Límpielo
	Depurador de aire sucio o atascado	Límpielo
	Carburador anormal	Solicite la inspección y mantenimiento
	Sistema de transmisión anormal	Solicite la inspección y mantenimiento
	Se ha soltado el cable del acelerador	Instale correctamente
El motor no se para ↓ Déjelo funcionando en ralentí y coloque la palanca de estrangulación en CLOSE.	Conector suelto	Instale correctamente
	Sistema eléctrico anormal	Solicite la inspección y mantenimiento

Cuando el motor no arranca después de la operación de calentamiento.

Si no se encuentran anomalías en los puntos comprobados, abra el acelerador 1/3 y arranque el motor.

GARANTÍA LIMITADA Makita DE UN AÑO

Política de garantía

Cada herramienta Makita es inspeccionada y probada exhaustivamente antes de salir de fábrica. Se garantiza que va a estar libre de defectos de mano de obra y materiales por el periodo de UN AÑO a partir de la fecha de adquisición original. Si durante este periodo de un año se desarrollase algún problema, retorne la herramienta COMPLETA, porte pagado con antelación, a una de las fábricas o centros de servicio autorizados Makita. Si la inspección muestra que el problema ha sido causado por mano de obra o material defectuoso, Makita la reparará (o a nuestra opción, reemplazará) sin cobrar.

Esta garantía no será aplicable cuando:

se hayan hecho o intentado hacer reparaciones por otros:

se requieran reparaciones debido al desgaste normal:

la herramienta haya sido abusada, mal usada o mantenido indebidamente:

se hayan hecho alteraciones a la herramienta.

EN NINGÚN CASO Makita SE HARÁ RESPONSABLE DE NINGÚN DAÑO INDIRECTO, FORTUITO O CONSECUENCIAL DERIVADO DE LA VENTA O USO DEL PRODUCTO. ESTA RENUNCIA SER Á APLICABLE TANTO DURANTE COMO DESPUÉS DEL TÉRMINO DE ESTA GARANTÍA.

Makita RENUNCIA LA RESPONSABILIDAD POR CUALQUIER GARANTÍA IMPLÍCITA, INCLUYENDO GARANTÍAS IMPLÍCITAS DE "COMERCIALIDAD" E "IDONEIDAD PARA UN FIN ESPECÍFICO", DESPUÉS DEL TÉRMINO DE UN AÑO DE ESTA GARANTÍA.

Esta garantía le concede a usted derechos legales específicos, y usted podrá tener también otros derechos que varían de un estado a otro. Algunos estados no permiten la exclusión o limitación de daños fortuitos o consecuenciales, por lo que es posible que la antedicha limitación o exclusión no le sea de aplicación a usted. Algunos estados no permiten limitación sobre la duración de una garantía implícita, por lo que es posible que la antedicha limitación no le sea de aplicación a usted.

<USA only>

 **WARNING**

The engine exhaust from this product contains chemicals known to the State of California to cause cancer, birth defects or other reproductive harm.

<USA solamente>

 **ADVERTENCIA**

Los gases de escape del motor de este producto contienen sustancias químicas conocidas en el Estado de California como causantes de cáncer, defectos genéticos y otros problemas relacionados con la reproducción.

Makita Corporation

3-11-8, Sumiyoshi-cho,
Anjo, Aichi 446-8502 Japan

www.makita.com